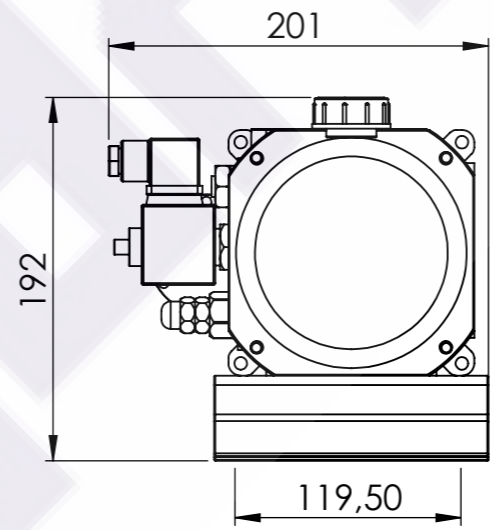
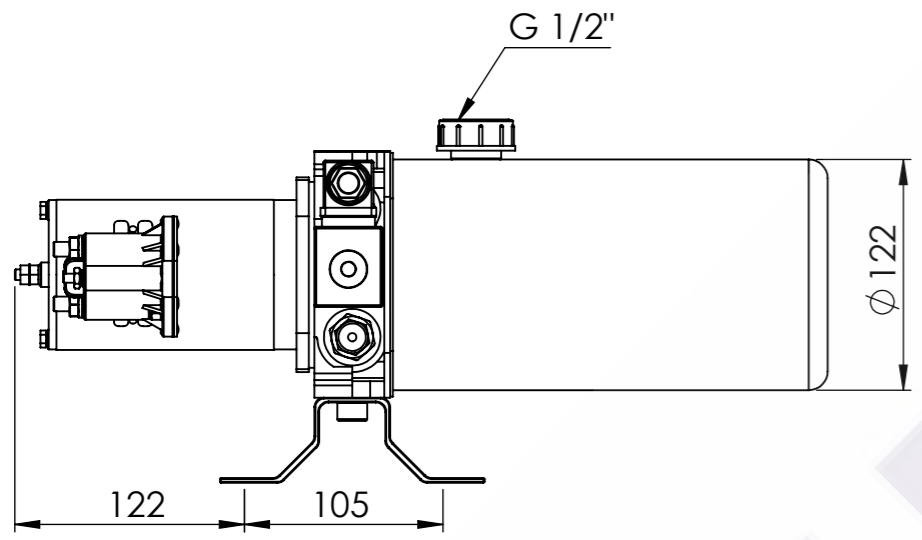
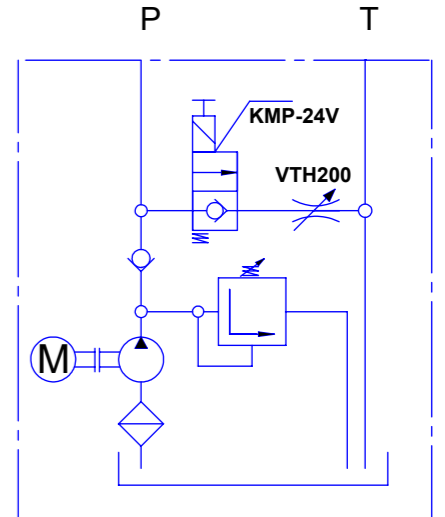


PART NO.	PART NAME	QTY.
1	MBWP-10	1
2	DC Coupling	1
3	Return Plastic	1
4	Connection Plate	1
5	PRV	1
6	AB 1/2"	1
7	00C0.8X047	1
8	P-NC-24	1
10	SP-90-S	1
11	Filter	1
12	TP02Y	1
13	DC24V-0.8-3500	1
14	STT24V150	1
15	VTH200	1



Hydraulic Circuit
P, T = G 3/8"



NOTES			MASS	DESIGNED BY
ELECTRIC MOTOR	PUMP	OIL TANK	MAX PRESSURE	CHECKED BY
POWER 0.8 kW	DISPLACEMENT 0.8 cc/rev	CAPACITY 2 liter	140 bar	DATE 15.03.2025
VOLTAGE 24 V DC		TYPE Cylinder		REVISION
SPEED 3500 rpm		ASSEMBLY Horizontal		REVISION DATE
FREQUENCY		MATERIAL Steel		



Ovacik, Kullar Cad. No:177, 41140
Başiskele/Kocaeli-TURKEY
Tel: +90 262 335 63 66 Fax: +90 262 335 63 70
www.hydropack.com.tr / info@hydropack.com.tr

DESCRIPTION
MINI POWERPACK

SCALE: 1:5
DIMENSIONS: mm
A3