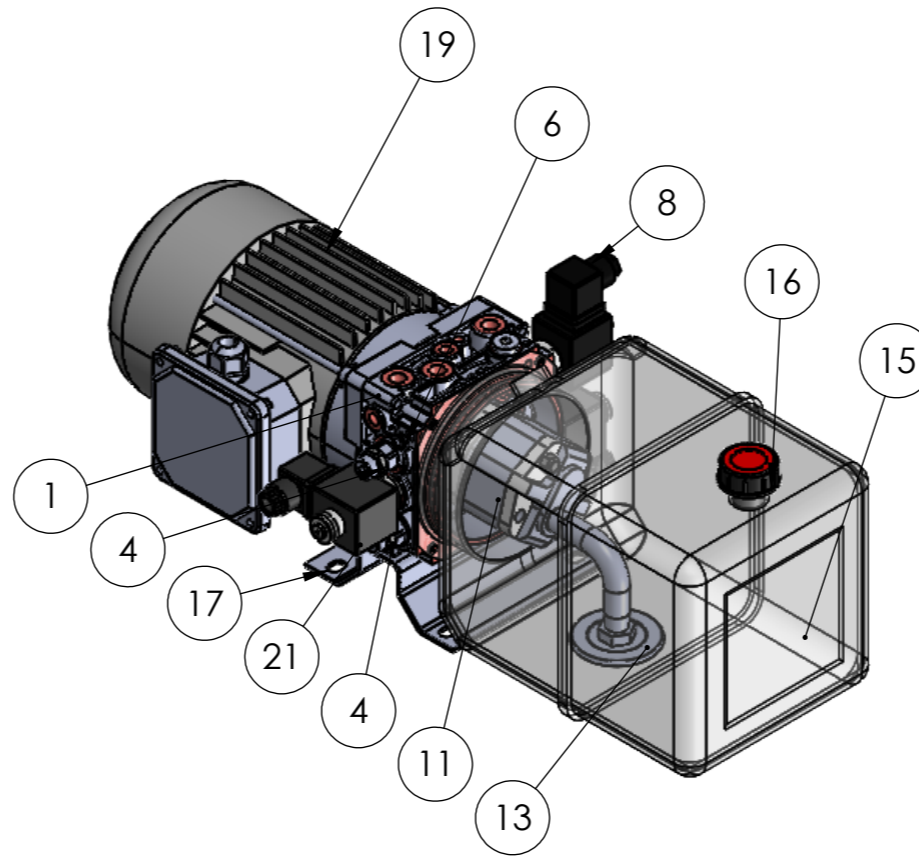
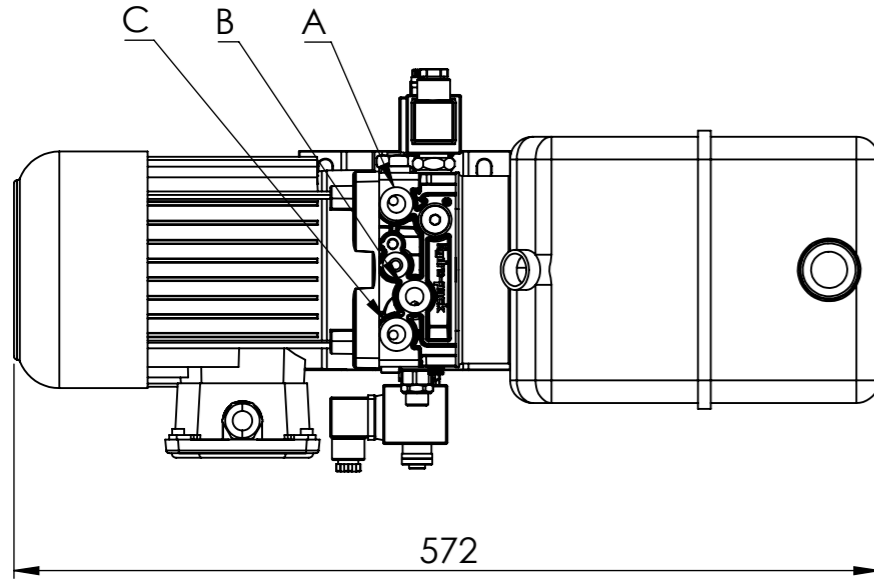
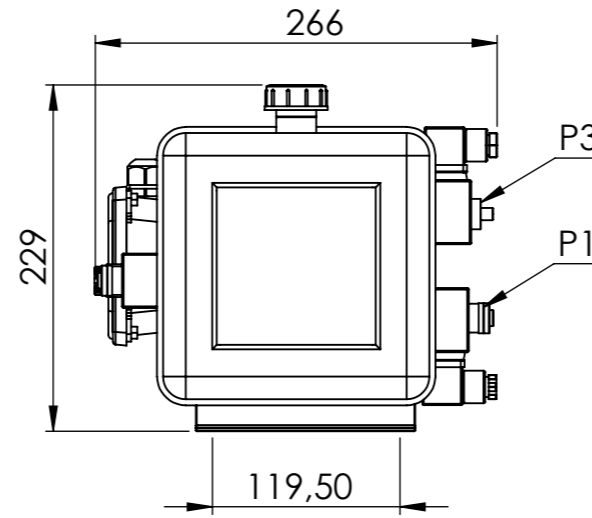
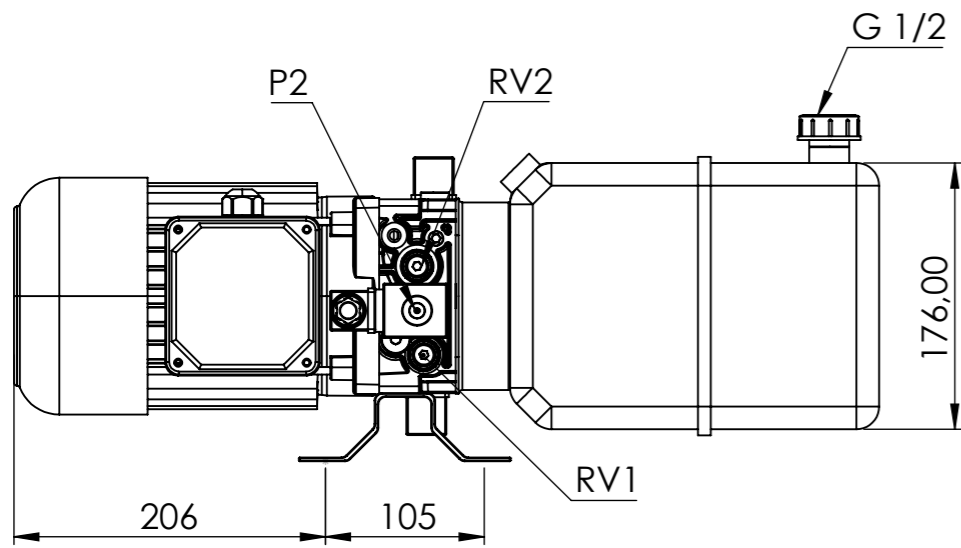


DLT-A14-P08-12B-TPL06H-N



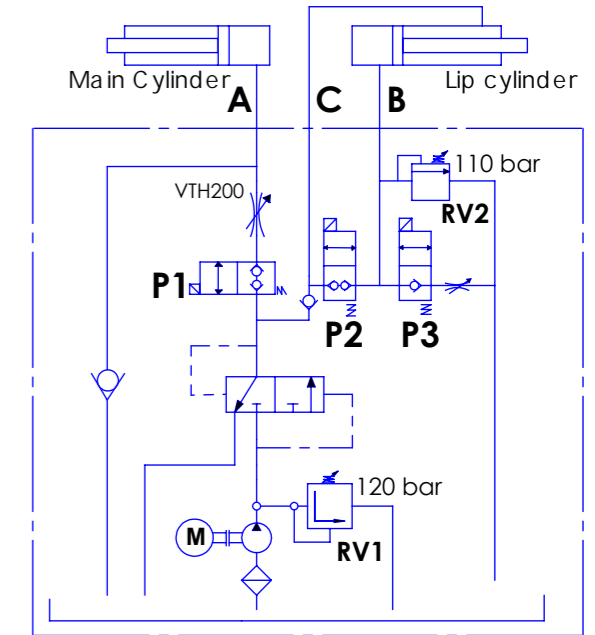
NO	Parça kodu	Adet
1	TDL.01	1
2	HP-CV	2
3	PCV	1
4	HP-PRV-05	2
6	HP-FCV	1
7	HP-PCFCV-02-1	1
8	P-NC-24 (KMP-24)	1
10	TDL coupling	1
11	10C1.8X302	1
13	Filter	1
15	TPL06H	1
16	AB-1/2"	1
17	Connection plate	1
19	AC-3V-1.1-2800	1
20	SP-90-S	1
21	P-DL-12	2
26	HP-SFCV(TDL)	1



	M	P1	P2	P3
Main cyl. extend	X	X		
Main cyl. closed		X		
Lip cyl. extend	X		X	
Lip cyl. closed	X			X

M : Electric Motor
X : Energised

**Hydraulic Circuit
A,B,C: G 1/4"**



NOTES

ELECTRIC MOTOR

PUMP

OIL TANK

MAX PRESSURE

POWER
1.1 kW

DISPLACEMENT
1.8 cc/rev

CAPACITY
6 liter

120 bar

VOLTAGE
380 V AC

SPEED
2800 rpm

FREQUENCY
50 Hz.

TYPE
Cylinder

ASSEMBLY
Horizontal

MATERIAL
Steel

DESIGNED BY

B.Düzcan

CHECKED BY

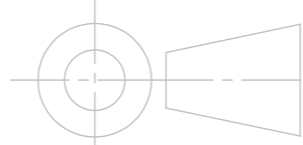
E.Aktaş

DATE

05.08.2022

REVISION

REVISION DATE



Ovacık Mah. Kullar Cad. No: 179
Başiskele, Kocaeli, TÜRKİYE
Tel: +90 262 335 63 66 Fax: +90 262 335 63 70
www.hydropack.com.tr / info@hydropack.com.tr

DESCRIPTION

MINI POWERPACK

SCALE: 1:5

DIMENSIONS: mm

A3