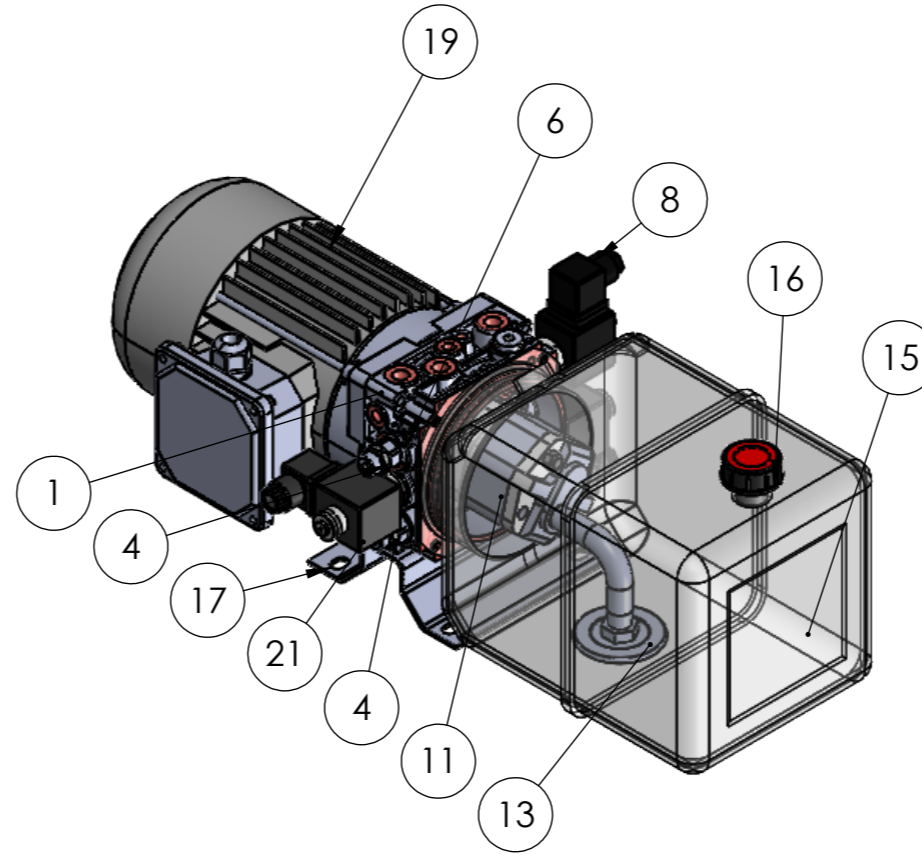
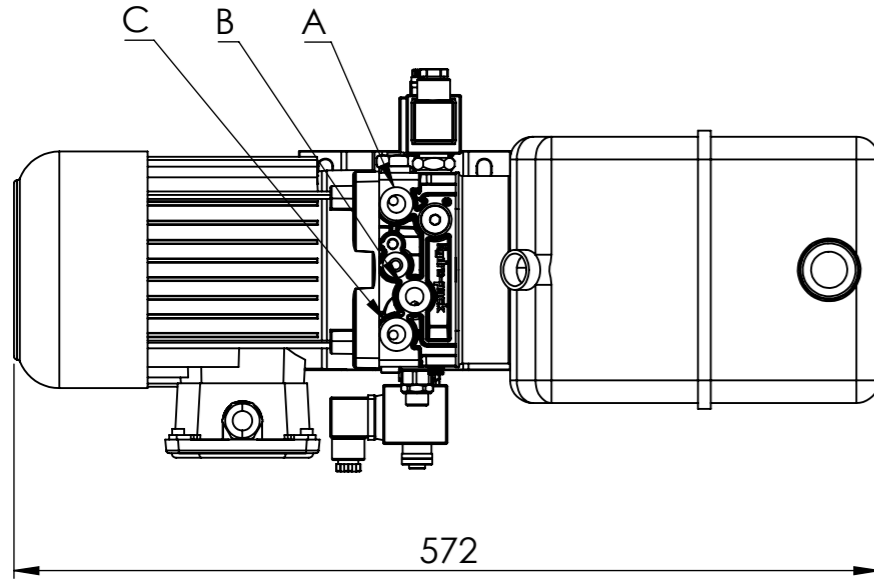
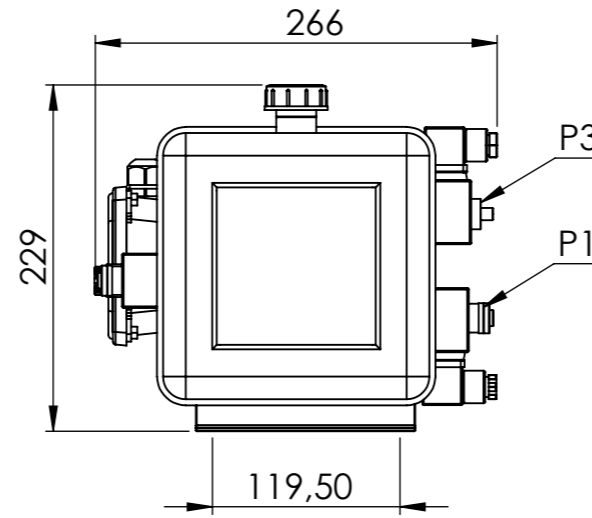
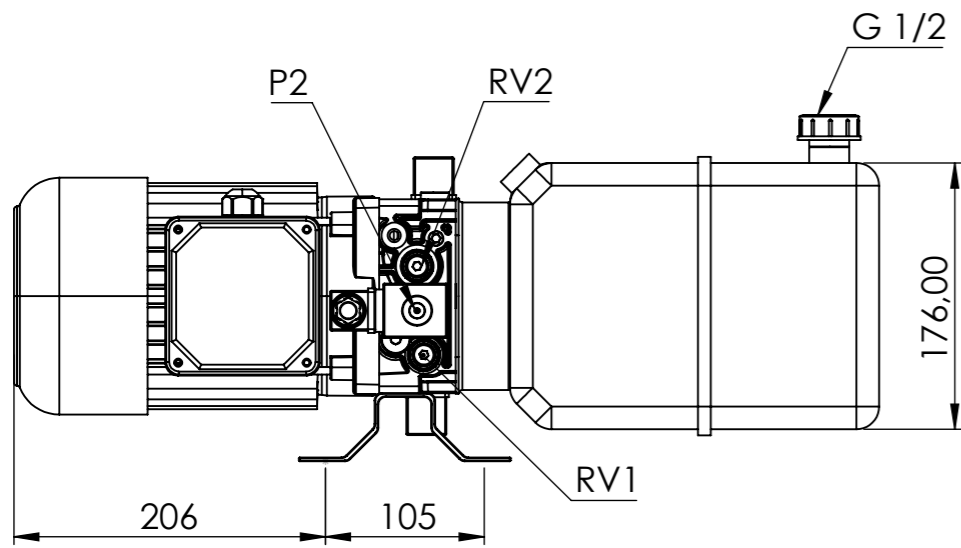


# DLT-A14-P08-12B-TPL06H-N

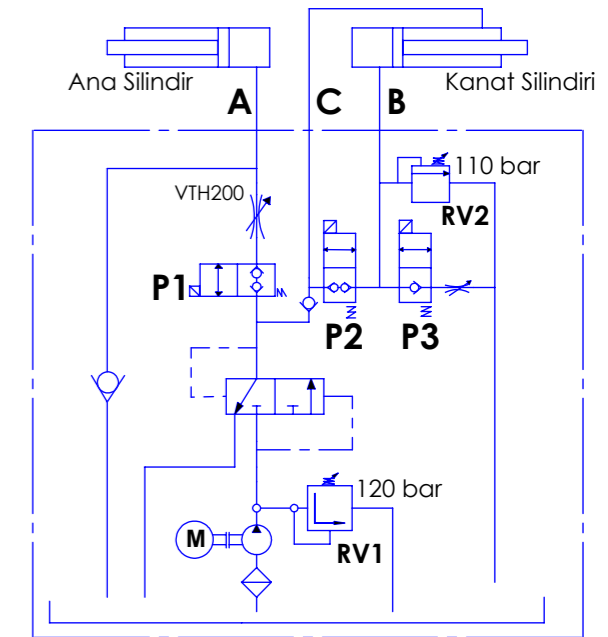


NO	Parça kodu	Adet
1	TDL.01	1
2	HP-CV	2
3	PCV	1
4	HP-PRV-05	2
6	HP-FCV	1
7	HP-PCFCV-02-1	1
8	P-NC-24 (KMP-24)	1
10	TDL coupling	1
11	10C1.8X302	1
13	Filter	1
15	TPL06H	1
16	AB-1/2"	1
17	Connection plate	1
19	AC-3V-1.1-2800	1
20	SP-90-S	1
21	P-DL-12	2
26	HP-SFCV(TDL)	1



	M : Elektrik motoru	P1	P2	P3
Ana silindir açma	X	X		
Ana silindir kapatma		X		
Kanat silindiri açma	X		X	
Kanat silindiri kapatma	X			X

## Hidrolik Devre A,B,C: G 1/4"



### NOTES

### ELECTRIC MOTOR

### PUMP

### OIL TANK

### MAX PRESSURE

POWER 1.1 kW

DISPLACEMENT 1.8 cc/rev

CAPACITY 6 liter

120 bar

VOLTAGE 380 V AC

SPEED 2800 rpm

FREQUENCY 50 Hz.

TYPE Cylinder

ASSEMBLY Horizontal

MATERIAL Steel

DESIGNED BY

B.Düzcan

CHECKED BY

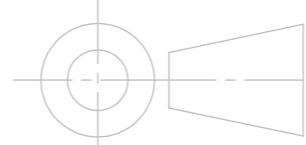
E.Aktaş

DATE

05.08.2022

REVISION

REVISION DATE



Ovacık Mah. Kullar Cad. No: 179  
Başiskele, Kocaeli, TÜRKİYE  
Tel: +90 262 335 63 66 Fax: +90 262 335 63 70  
www.hydropack.com.tr / info@hydropack.com.tr

### DESCRIPTION

## MINI POWERPACK

SCALE: 1:5

DIMENSIONS: mm

A3