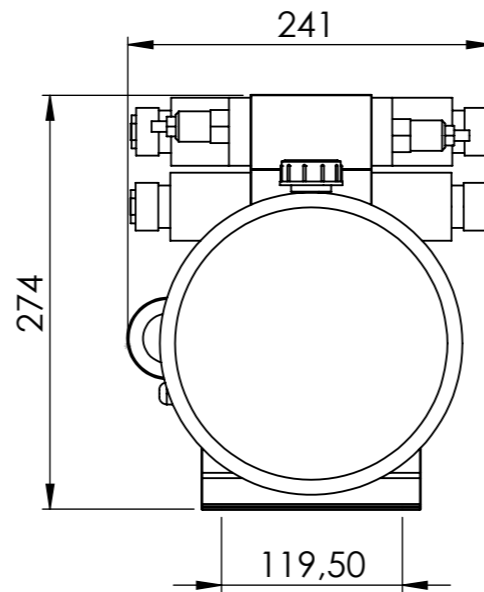
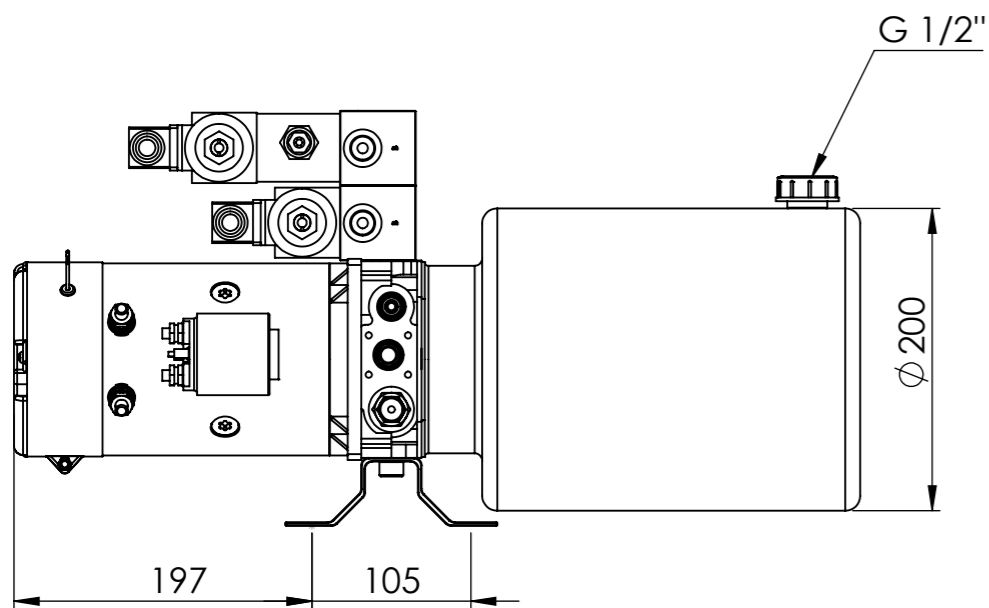
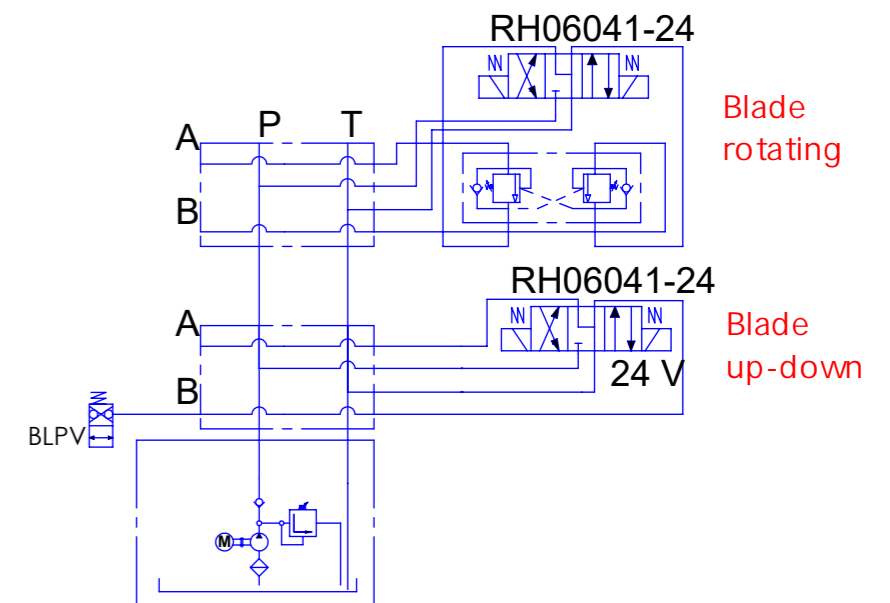


PART NO.	PART NAME	QTY.
1	MBWOP-10	1
4	DC coupling	1
5	Return Plastic	1
6	Connection plate	1
8	RH06041-24	2
9	Filter	1
10	AB-1/2"	1
11	SP-90-L	1
12	STX24V150	1
13	TV08Y	1
14	10C2.1X302	1
15	HP A03	2
18	OWC-6M 25 AB	1
19	DC24MY-3-3500	1



### Hydraulic Circuit

A, B = G 3/8  
P, T = G 1/4



NOTES			MASS	DESIGNED BY	E.Aktaş
BLPV block is optional and used for floating position.					
ELECTRIC MOTOR	PUMP	OIL TANK	MAX PRESSURE	CHECKED BY	H.Tarhan
POWER 3 kW	DISPLACEMENT 2.1 cc/rev	CAPACITY 8 liter	205 bar	DATE	04.02.2021
VOLTAGE 24V DC		TYPE Cylinder		REVISION	
SPEED 3500rpm		ASSEMBLY Horizontal		REVISION DATE	
FREQUENCY		MATERIAL Steel			



Sanayi Mah. İzmit Sanayi Sitesi 13. cad. İç Kapı No:54  
İzmit/Kocaeli-TURKEY  
Tel: +90 262 335 63 66 Fax: +90 262 335 63 70  
www.hydropack.com.tr / info@hydropack.com.tr

### DESCRIPTION

## MINI POWERPACK

SCALE: 1:5

DIMENSIONS: mm

**A3**