

100% LEAK FREE WELDLESS STEEL TANKS FOR POWER UNITS ORDERING

HPWST

Capacity

6: 6 liter
12: 12 liter
25: 25 liter
40: 40 liter
70: 70 liter
100: 100 liter
160: 160 liter
250: 250 liter

Cover Style

X: Without cover
A: Only cover
B: Cover with air breather hole
C: Cover with air breather and bellhousing hole
D: Cover with air breather, bellhousing and return filter hole

Assembly

1: Bottom
2: Behind (For 6 & 12 liters only)

Cleaning hole position

A: Front
B: Side
C: Without cleaning hole

Bellhousing Diameter

140: 140 mm. (6, 12 liter)
160: 160 mm. (6, 12, 25, 40 liter)
200: 200 mm. (6, 12, 25, 40, 70, 100 liter)
250: 250 mm. (25, 40, 70, 100, 160, 250 liter)
300: 300 mm. (40, 70, 100, 160, 250 liter)
350: 350 mm. (70, 100, 160, 250 liter)
400: 400 mm. (160, 250 liter)

Order example: HPWST 70 C 250 C 1

70 liter oil tank with air breather & bellhousing hole (250 mm. bellhousing dia.)
without cleaning hole, bottom assembly



- Tank body sheet metal thickness is 2 mm.
- Standard body color is RAL5007. (Can change according to customer)
- Cover is st52 sheet metal with thickness of 3 mm. (Can change according to customer)
- Cover is supplied without paint as standard.
- Special cover cut can be made according to customer.
- Ready to assemble oil level indicator.

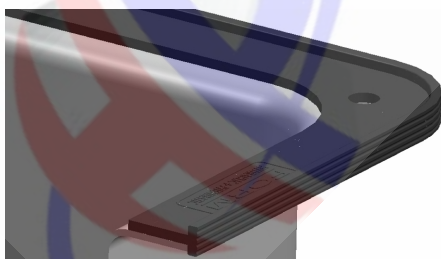


Weldless Steel Tanks

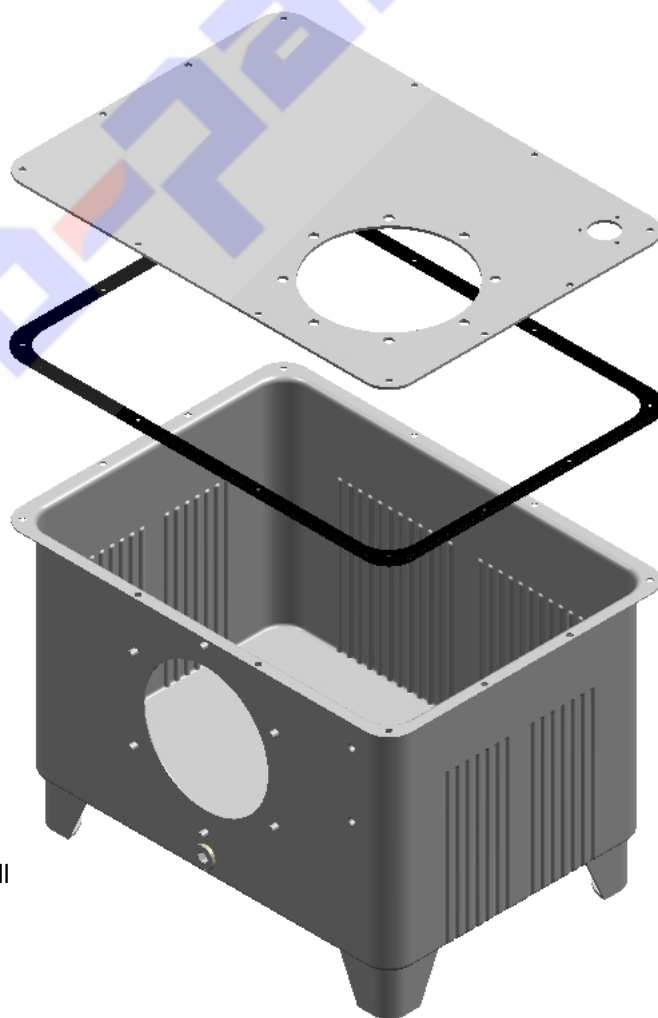
The line includes Weldless Steel tanks complete lids, sealing gaskets, legs and associated parts for tanks including a complete line of oil level gauges, bellhousings, filler breather etc... for routing hydraulic lines directly into the tank.

WELDLESS SHEET METAL OIL TANK FEATURES

- All Weldless Steel Tank bodies are skillfully fabricated from high strength cold rolled steel plate and sheet.
- Produced by the deep drawing method of forming the body of the tank without the use of welding in all circumstances guarantee 100% leak
- Hydraulic Power Unit with a capacity of eight different applications respond to a large part,
- Light weight and high strength weldless sheet metal tank body,
- Tank body with electrostatic epoxy-polyester powder paint (Phosphate-coated on the surface) and the high strength obtained by painting the surface quality and protection. (standart color RAL 5007 Brillant blue)
- Assembled as an oil level indicator (option), Tank can be installed over the drain plug (standard) shipping,
- Lid - Tank is an integrated view after assembly to give the vibration damping and sealing gasket feature (NBR 70)



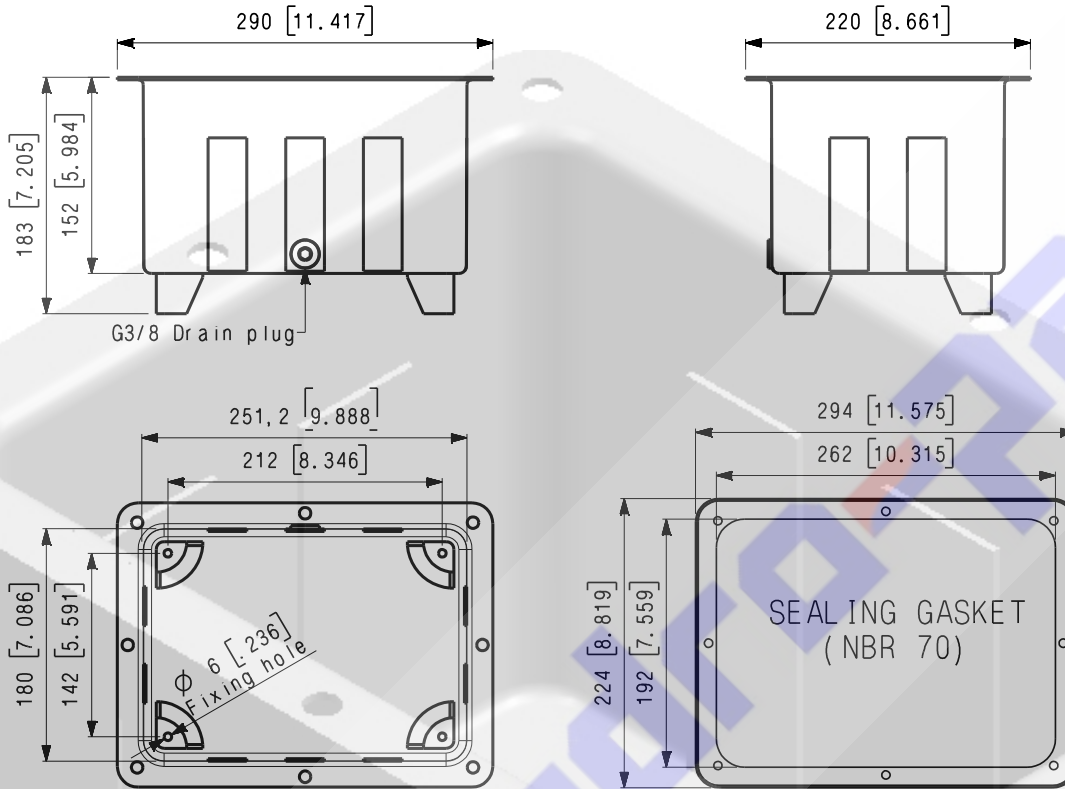
- + Traps oil leaks prevents spill
- + Reduces noise
- + Absorbs vibration
- + Compatible with most fluids
- + Simplifies assembly



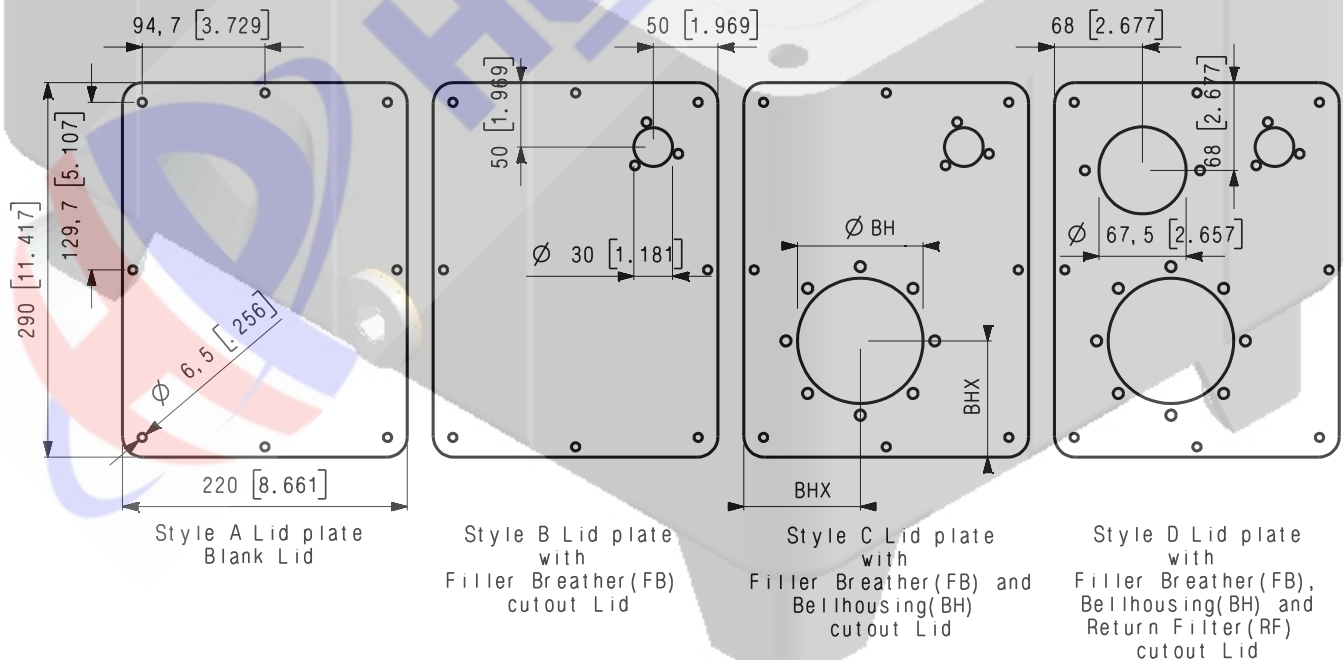
- Different valve blok, Bellhousing, filler cap, etc.. customer-specific applications that allows mounting of the lid.
- Its strength, light weight, compact design, with the advantage of immediate delivery from stock at unbeatable price

Weldless Steel Tank 6 Liter Type A (1,6 Gallon)

mm [in]

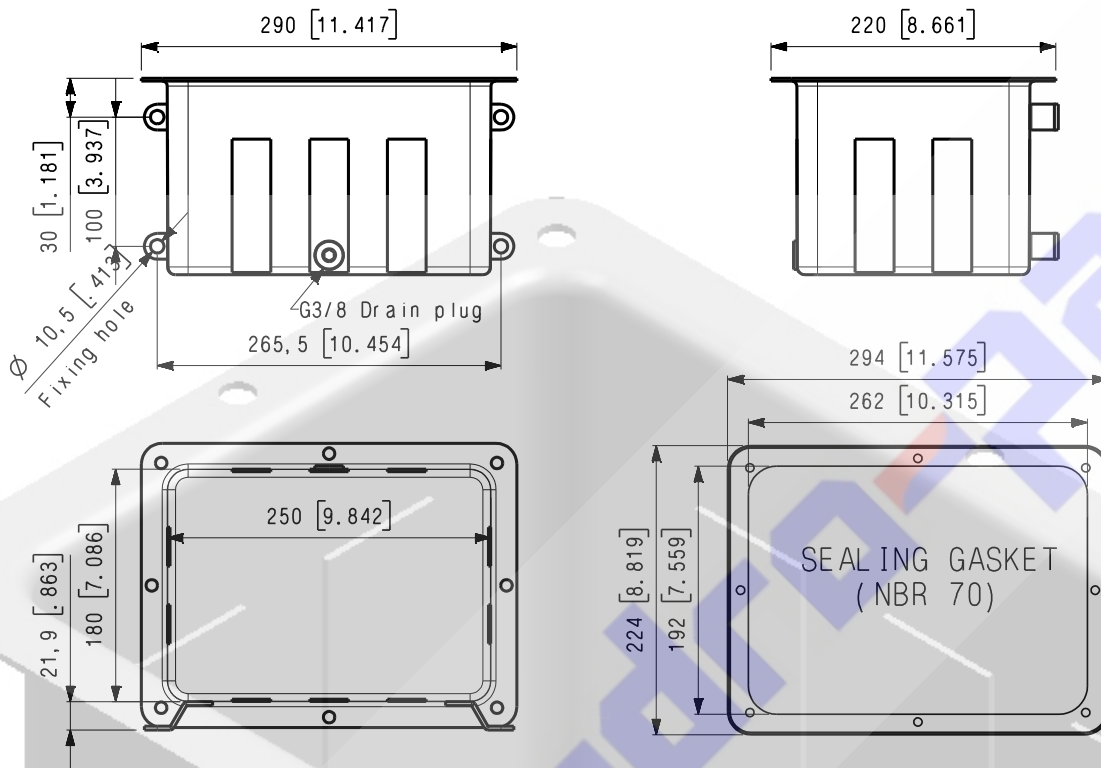


Lid 6 Liter (1,6 Gallon)

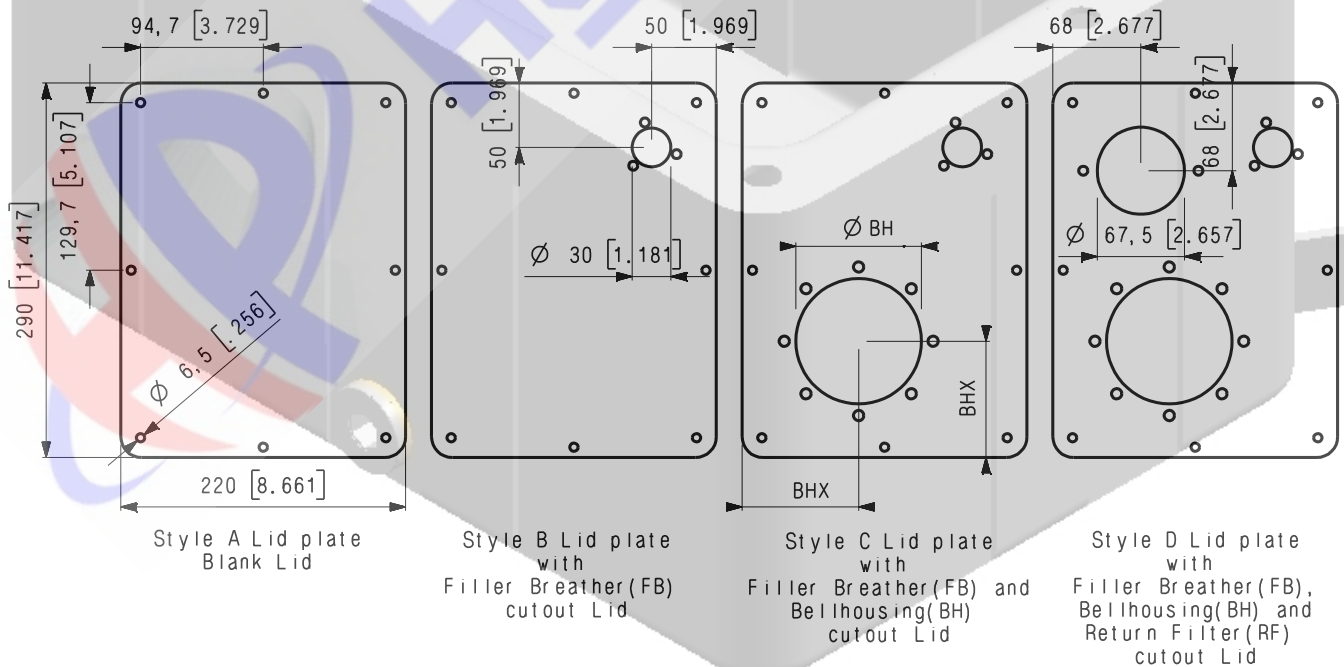


Weldless Steel Tank 6 Liter Type B (1,6 Gallon)

mm [in]

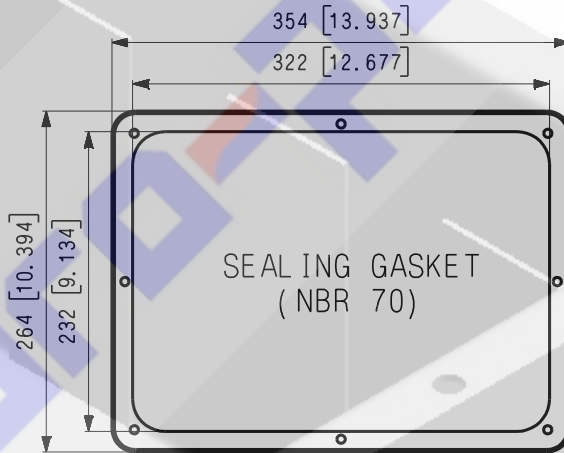
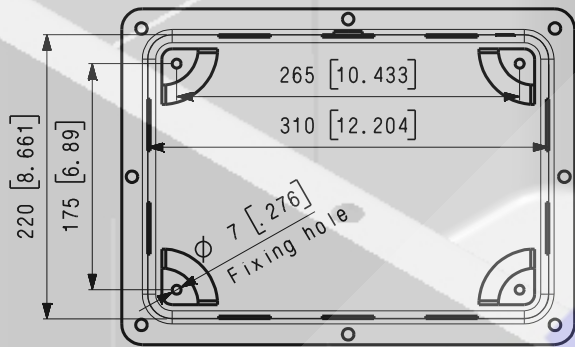
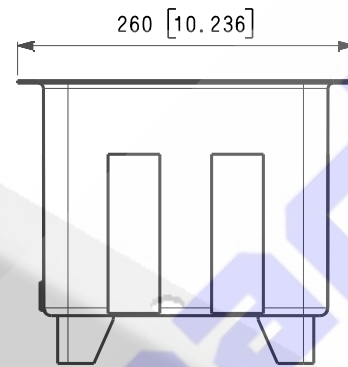
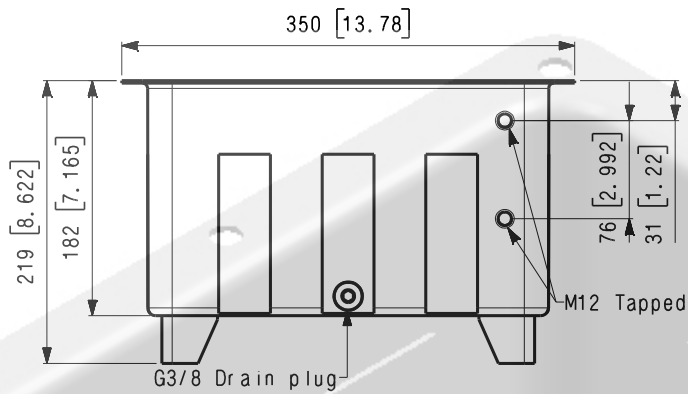


Lid 6 Liter (1,6 Gallon)

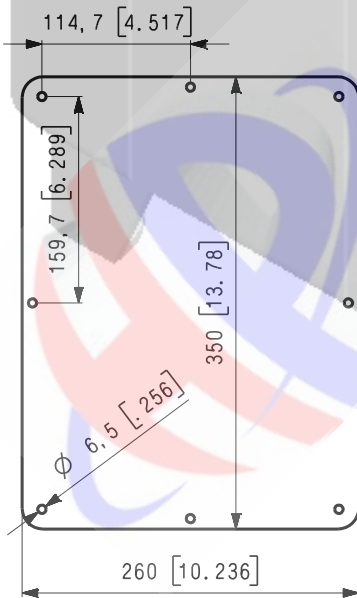


Weldless Steel Tank 12 Liter Type A (3,2 Gallon)

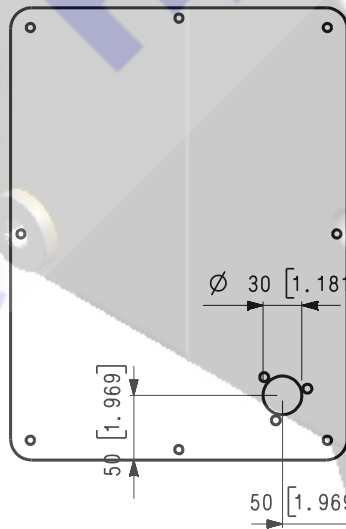
mm [in]



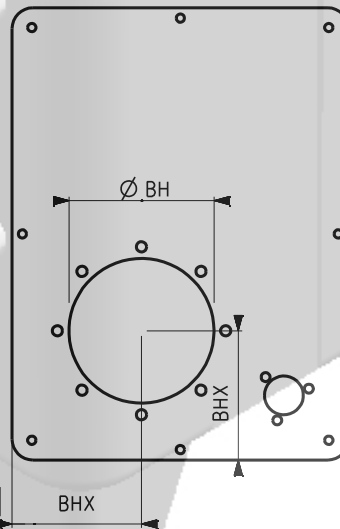
Lid 12 Liter (3,2 Gallon)



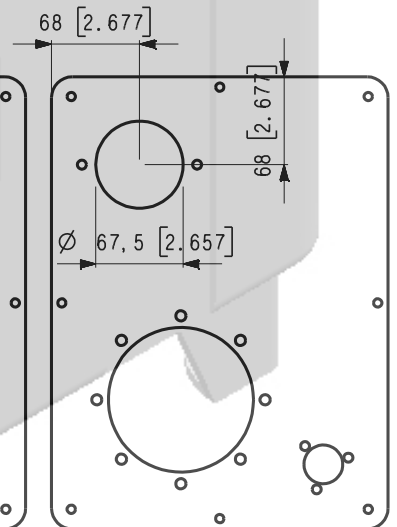
Style A Lid plate
Blank Lid



Style B Lid plate
with
Filler Breather (FB) cutout Lid



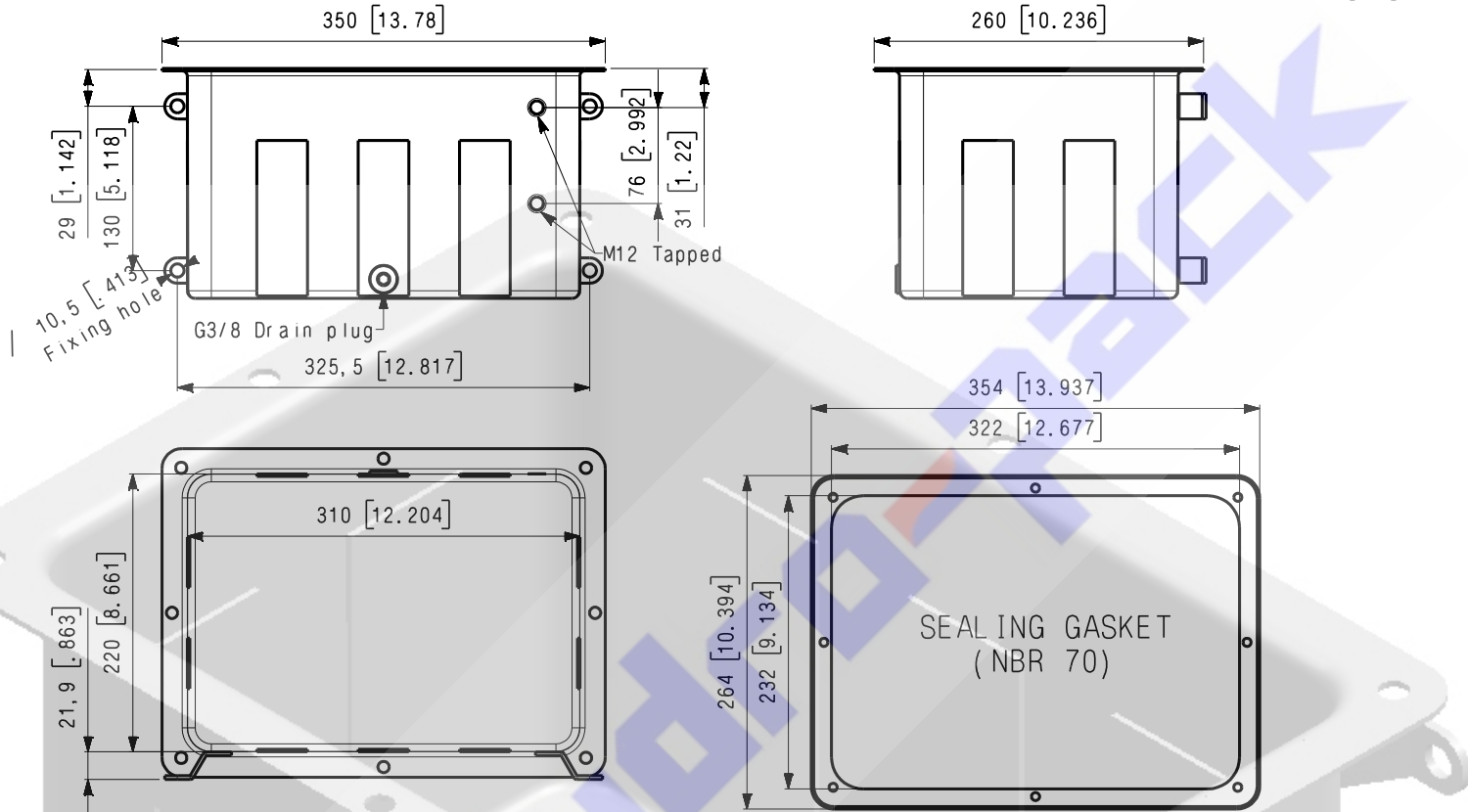
Style C Lid plate
with
Filler Breather (FB) and
Return Filter (RF) cutout Lid



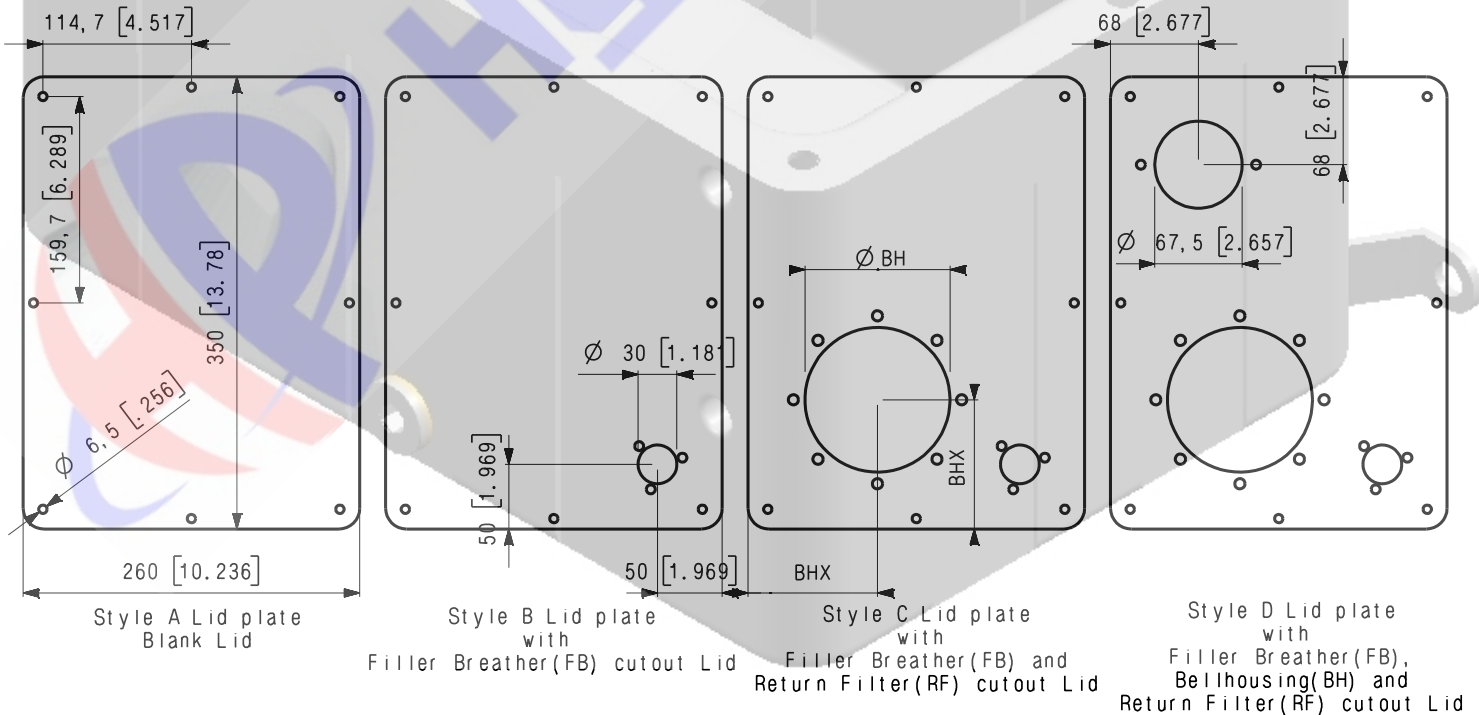
Style D Lid plate
with
Filler Breather (FB),
Bellhousing (BH) and
Return Filter (RF) cutout Lid

Weldless Steel Tank 12 Liter Type B (3,2 Gallon)

mm [in]

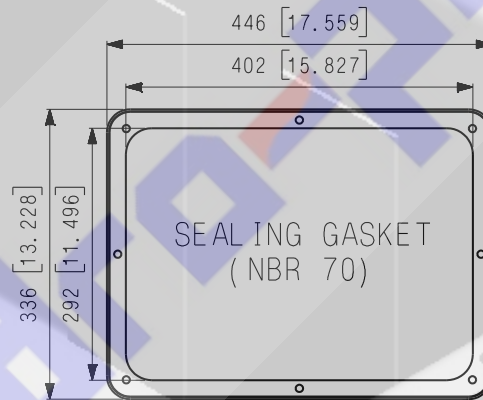
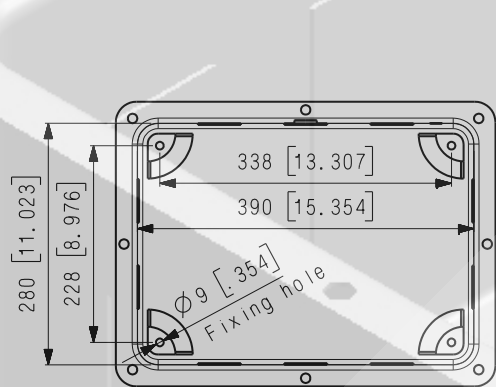
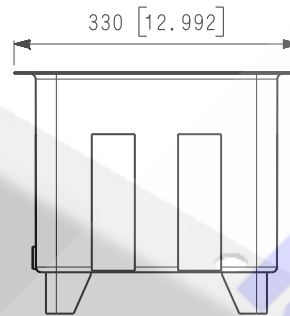
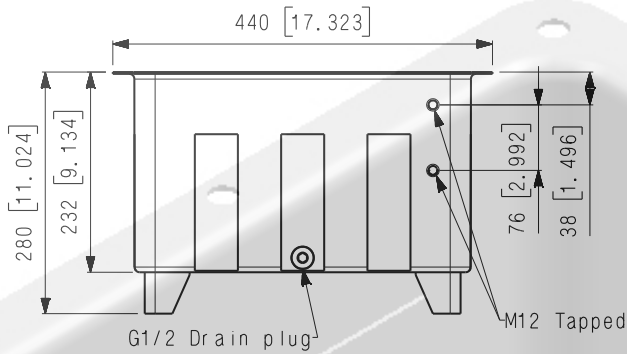


Lid 12 Liter (3,2 Gallon)

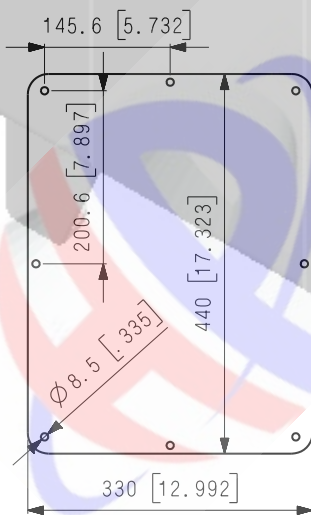


Weldless Steel Tank 25 Liter (6,6 Gallon)

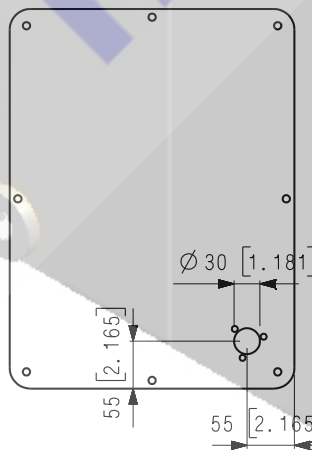
mm [in]



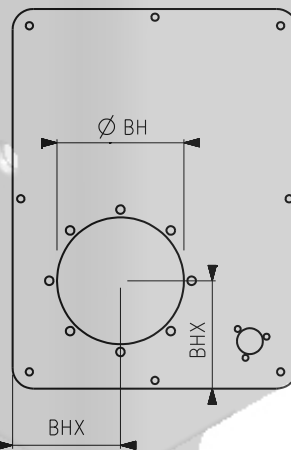
Lid 25 Liter (6,6 Gallon)



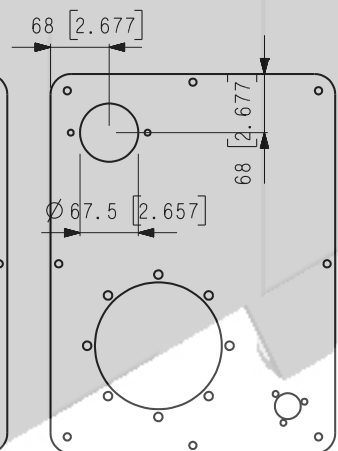
Style A Lid plate
Blank Lid



Style B Lid plate
with
Filler Breather (FB)
cutout Lid



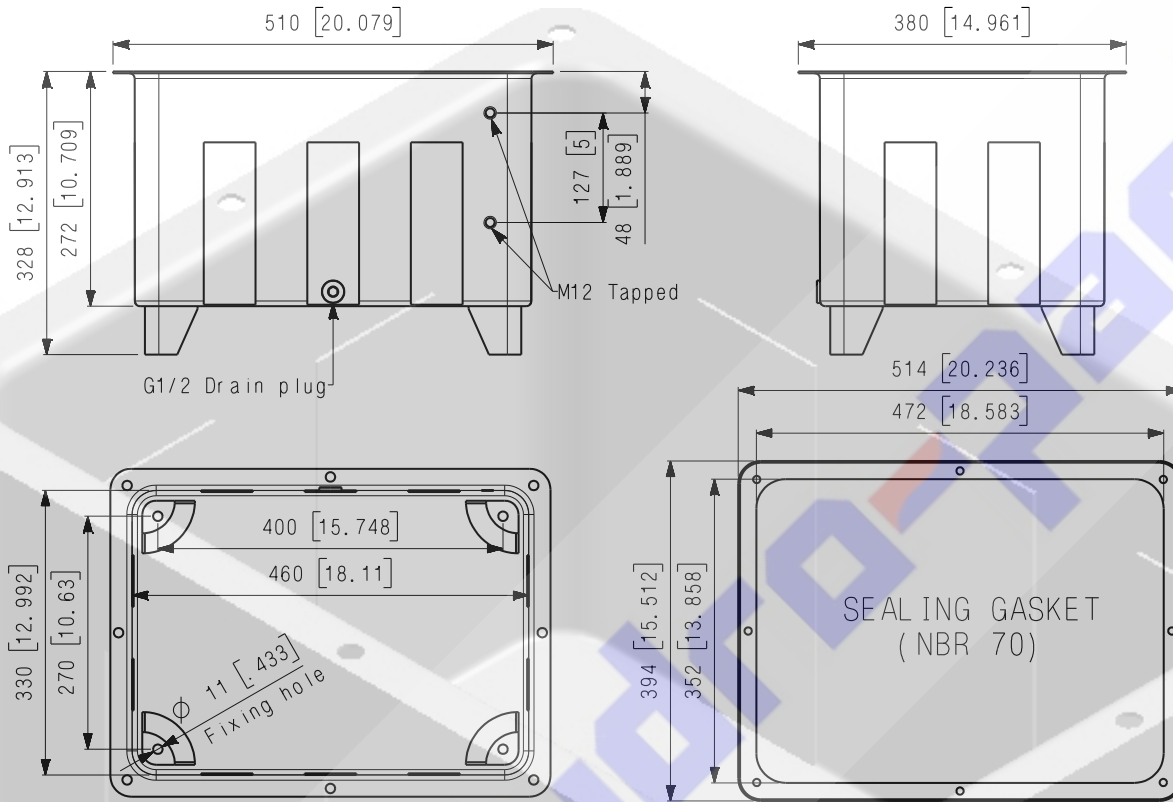
Style C Lid plate
with
Filler Breather (FB) and
Bellhousing (BH)
cutout Lid



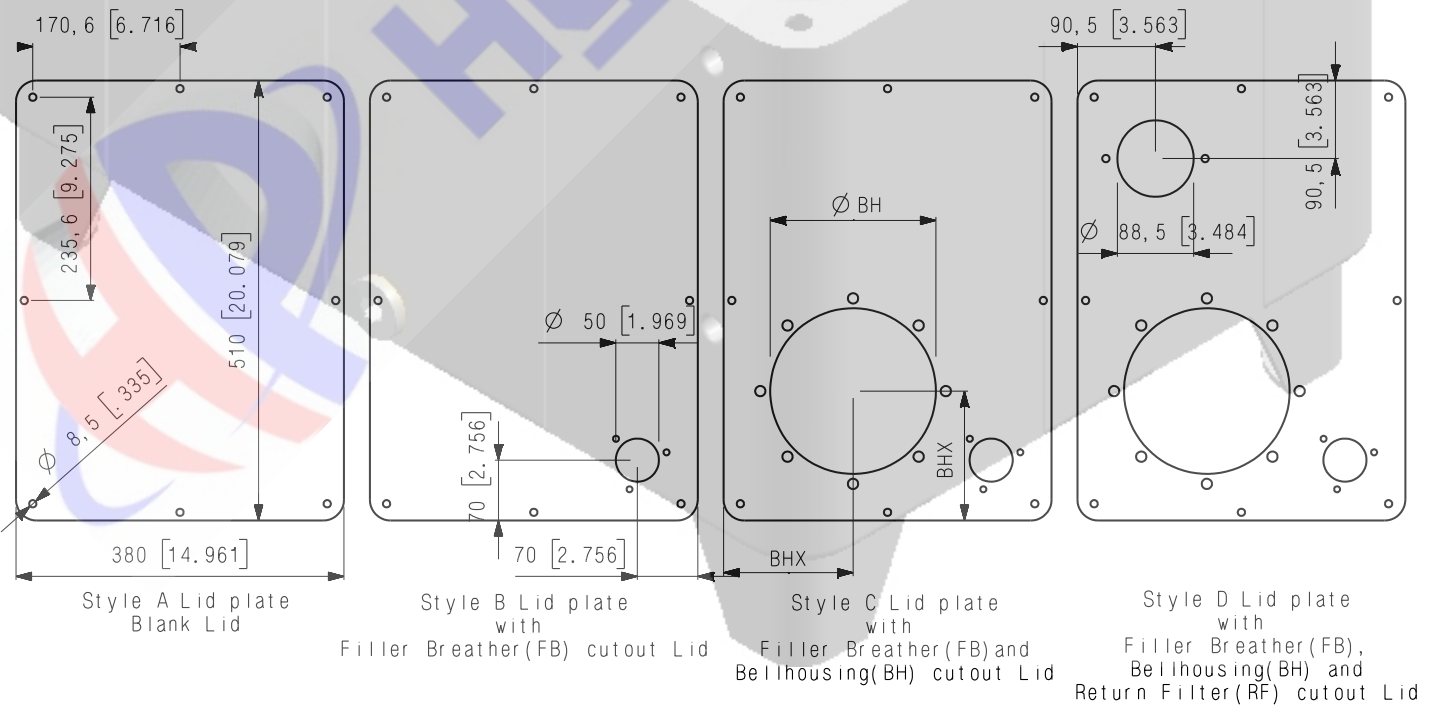
Style D Lid plate
with
Filler Breather (FB),
Bellhousing (BH) and
Return Filter (RF)
cutout Lid

Weldless Steel Tank 40 Liter (10,6 Gallon)

mm [in]

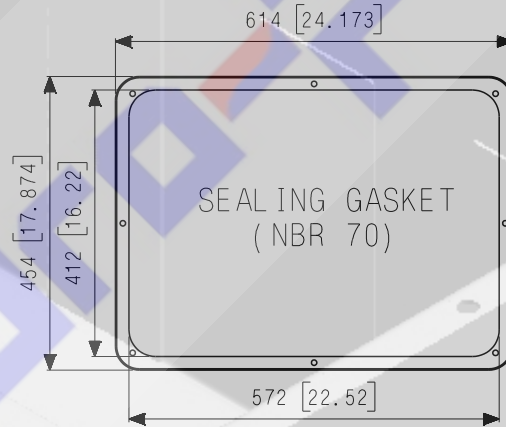
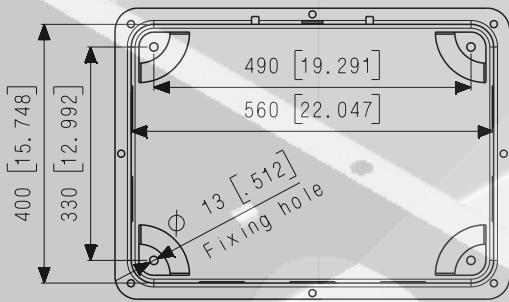
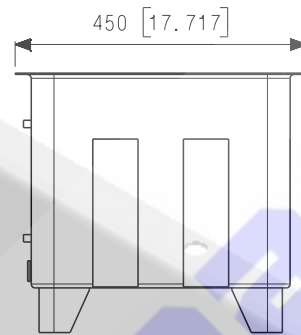
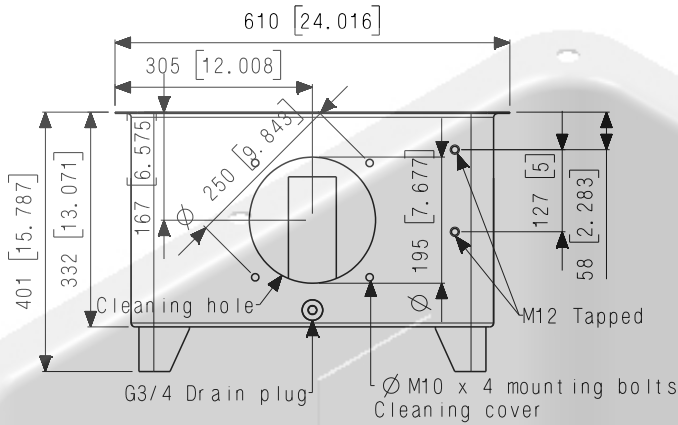


Lid 40 Liter (10,6 Gallon)

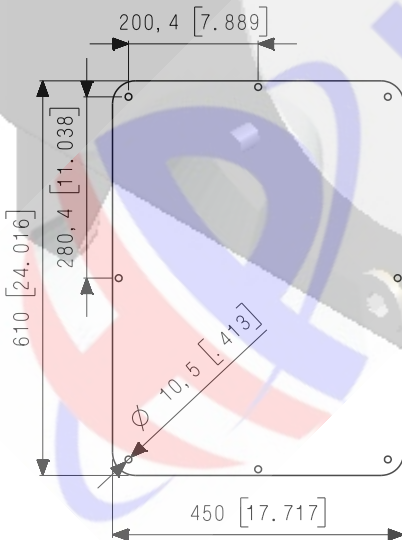


Weldless Steel Tank 70 Liter Type A (18,5 Gallon)

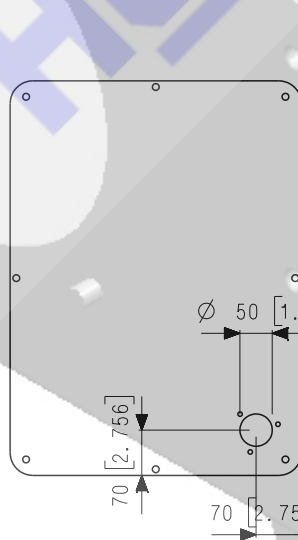
mm [in]



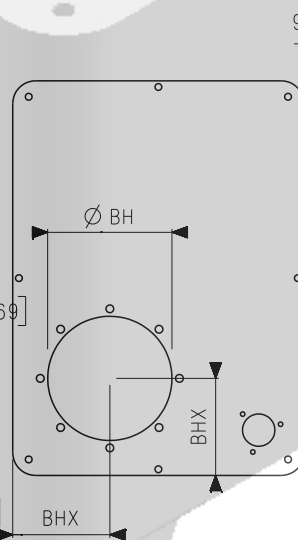
Lid 70 Liter (18,5 Gallon)



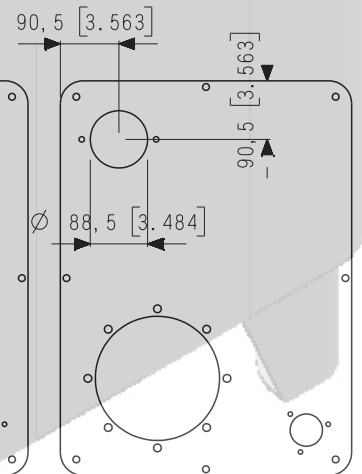
Style A Lid plate
Blank Lid



Style B Lid plate
with
Filler Breather (FB)
cutout Lid



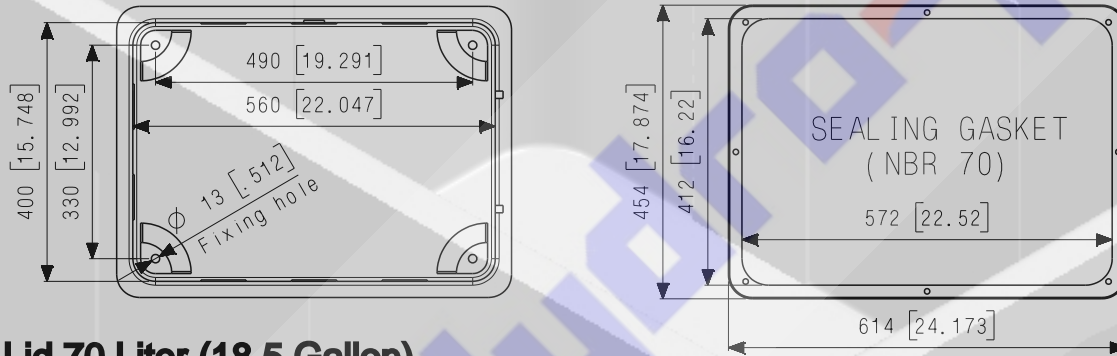
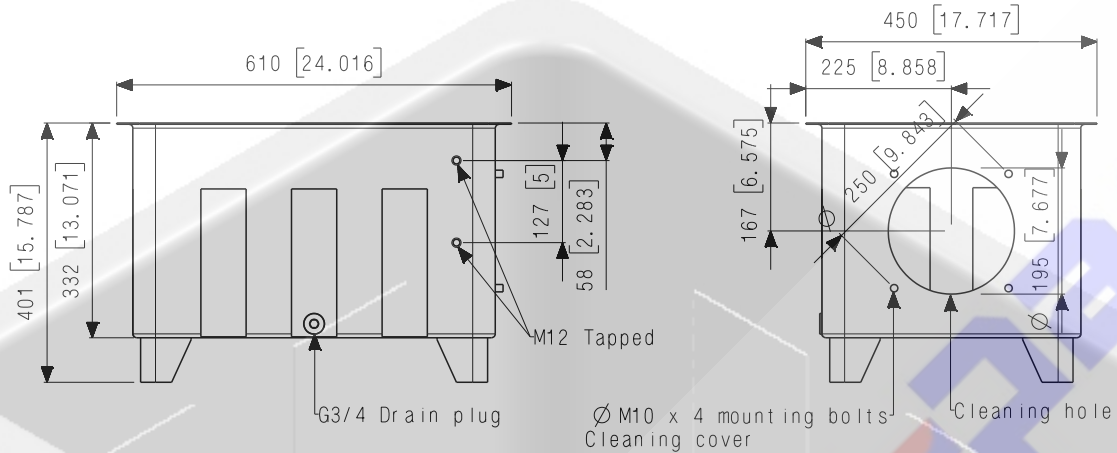
Style C Lid plate
with
Filler Breather (FB) and
Bellhousing (BH)
cutout Lid



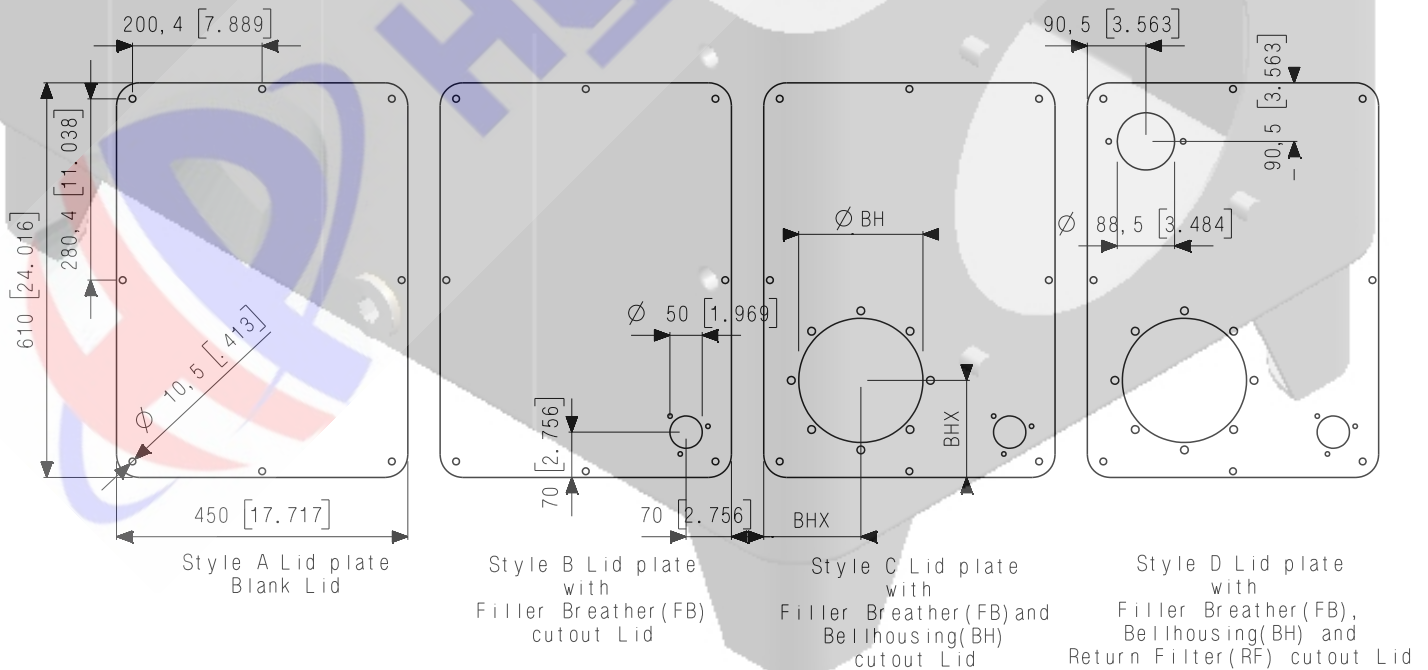
Style D Lid plate
with
Filler Breather (FB),
Bellhousing (BH) and
Return Filter (RF)
cutout Lid

Weldless Steel Tank 70 Liter Type B (18,5 Gallon)

mm [in]

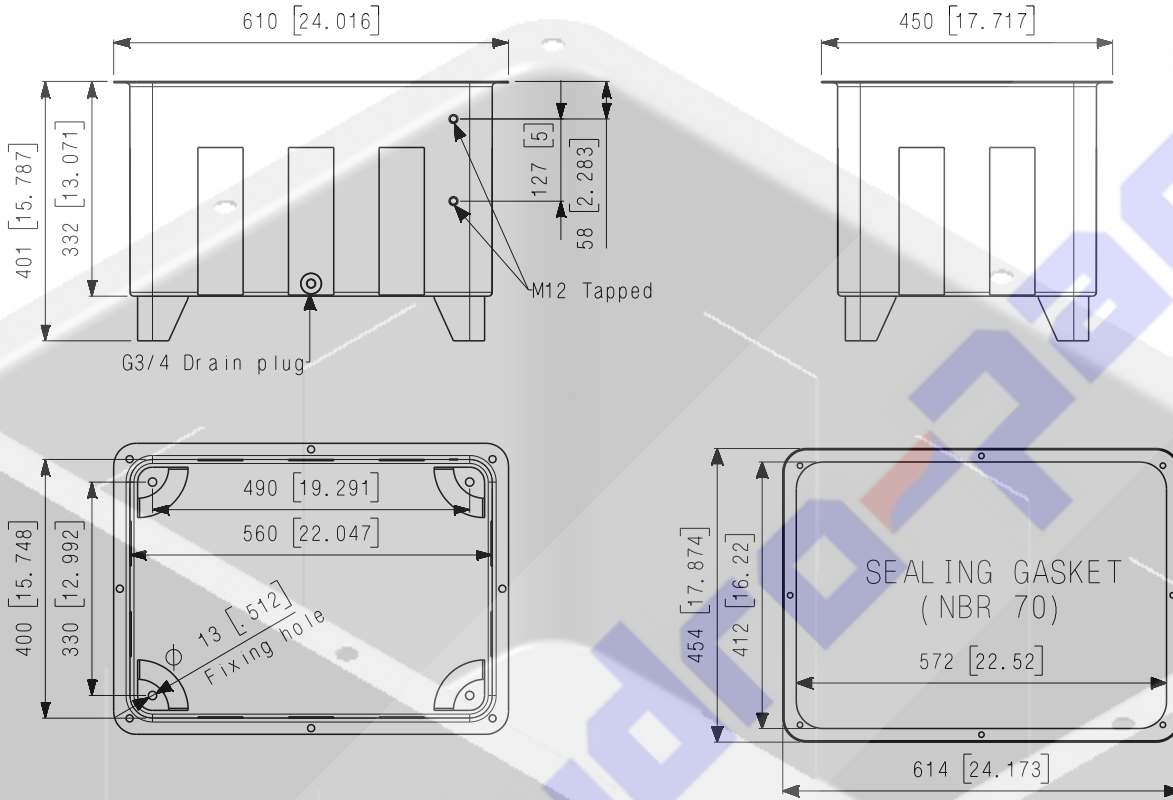


Lid 70 Liter (18,5 Gallon)

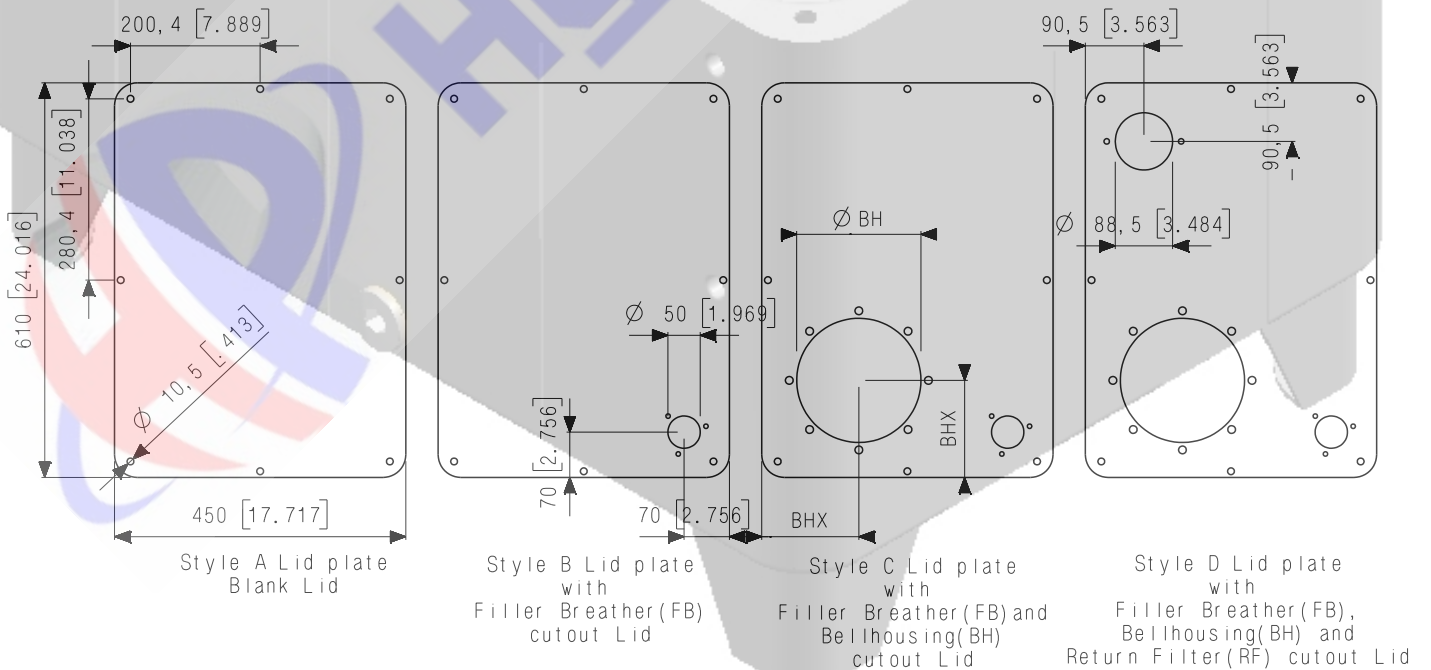


Weldless Steel Tank 70 Liter Type C (18,5 Gallon)

mm [in]

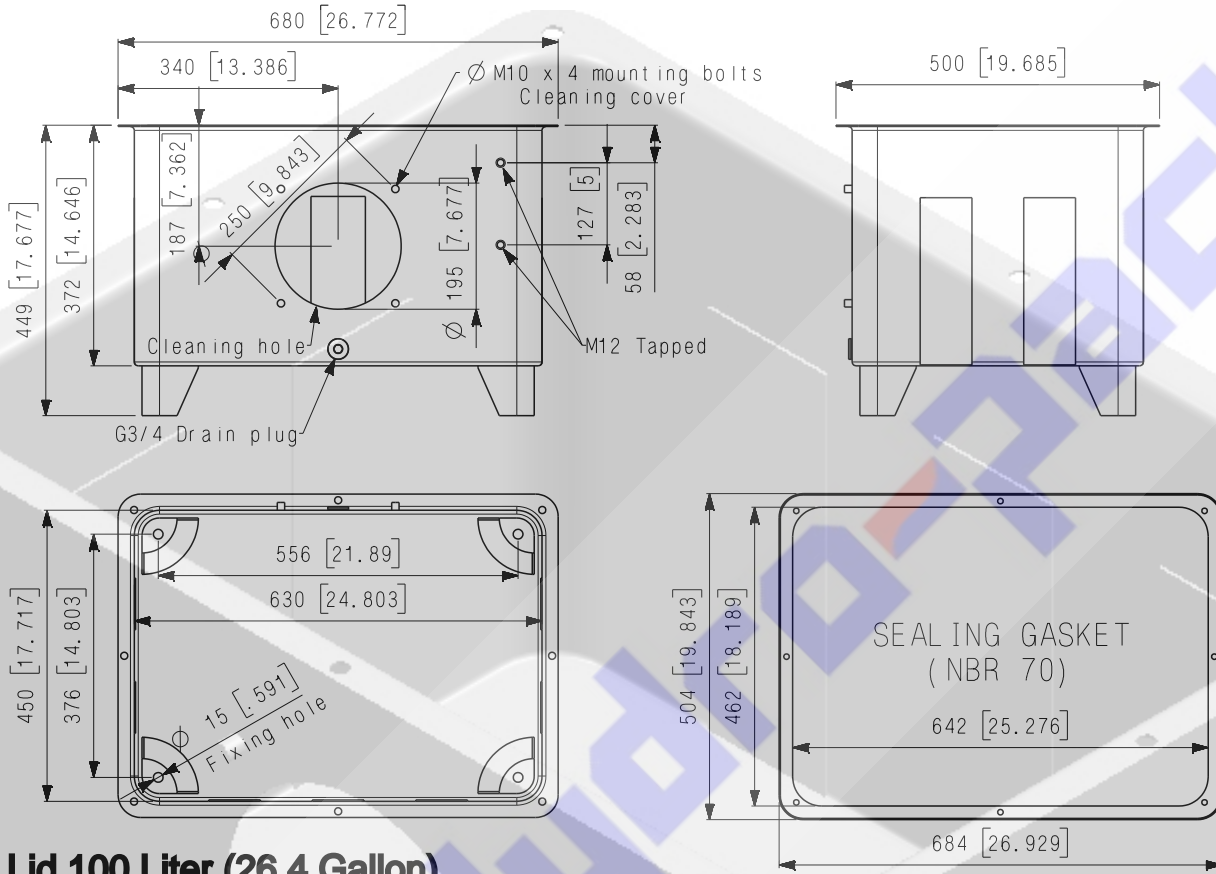


Lid 70 Liter (18,5 Gallon)

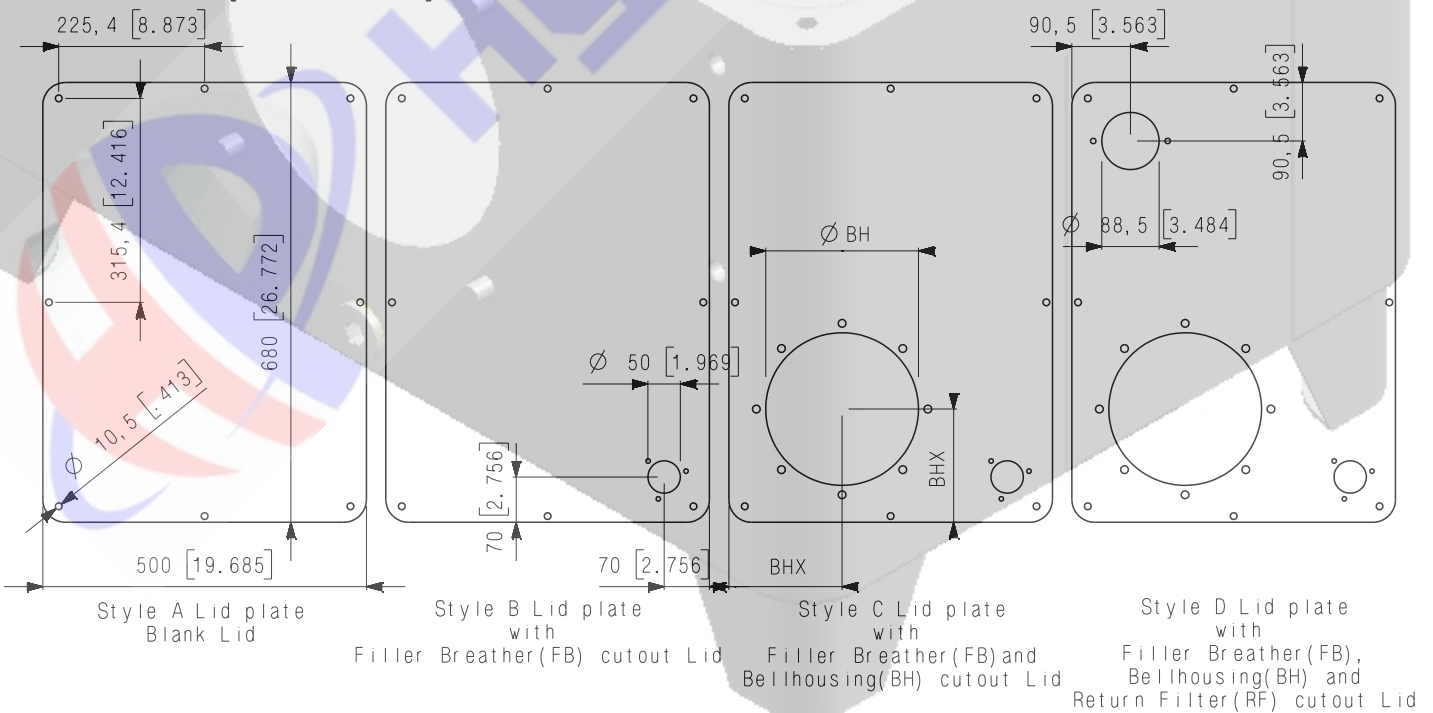


Weldless Steel Tank 100 Liter Type A (26,4 Gallon)

mm [in]

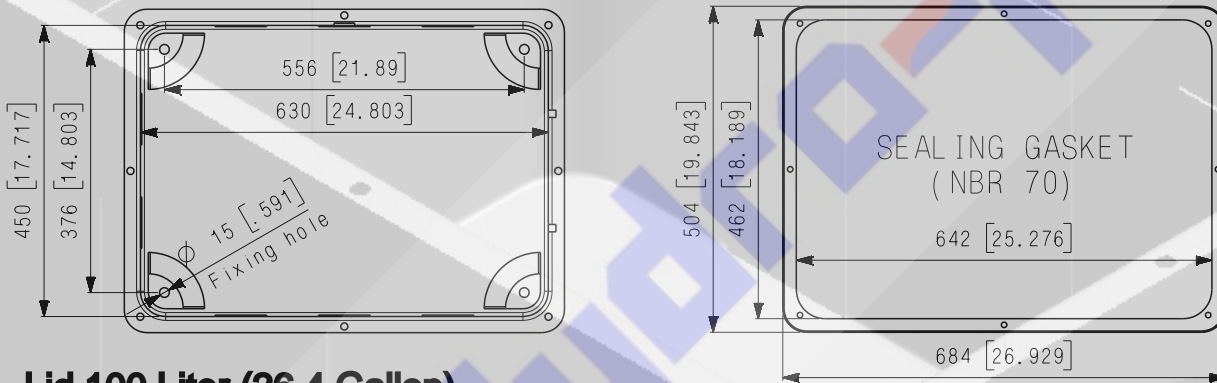
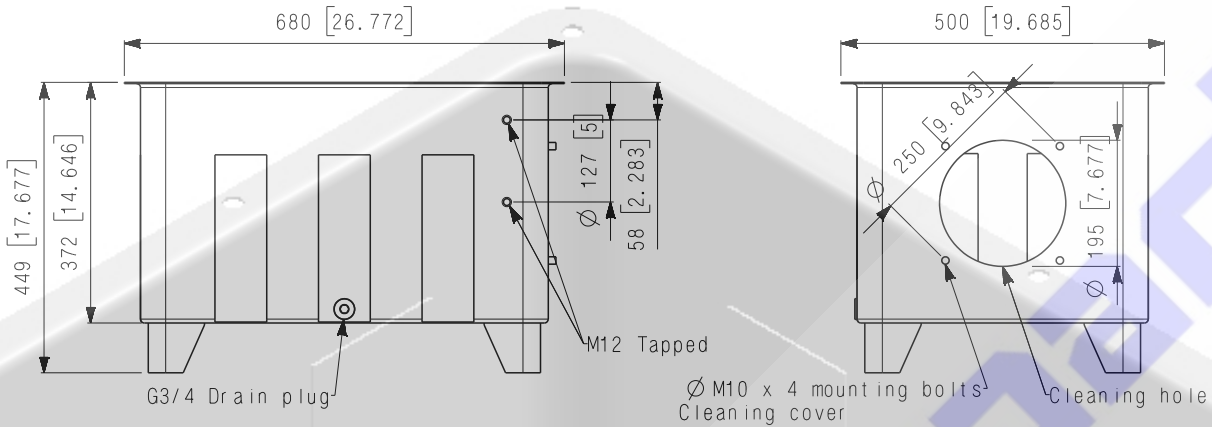


Lid 100 Liter (26,4 Gallon)

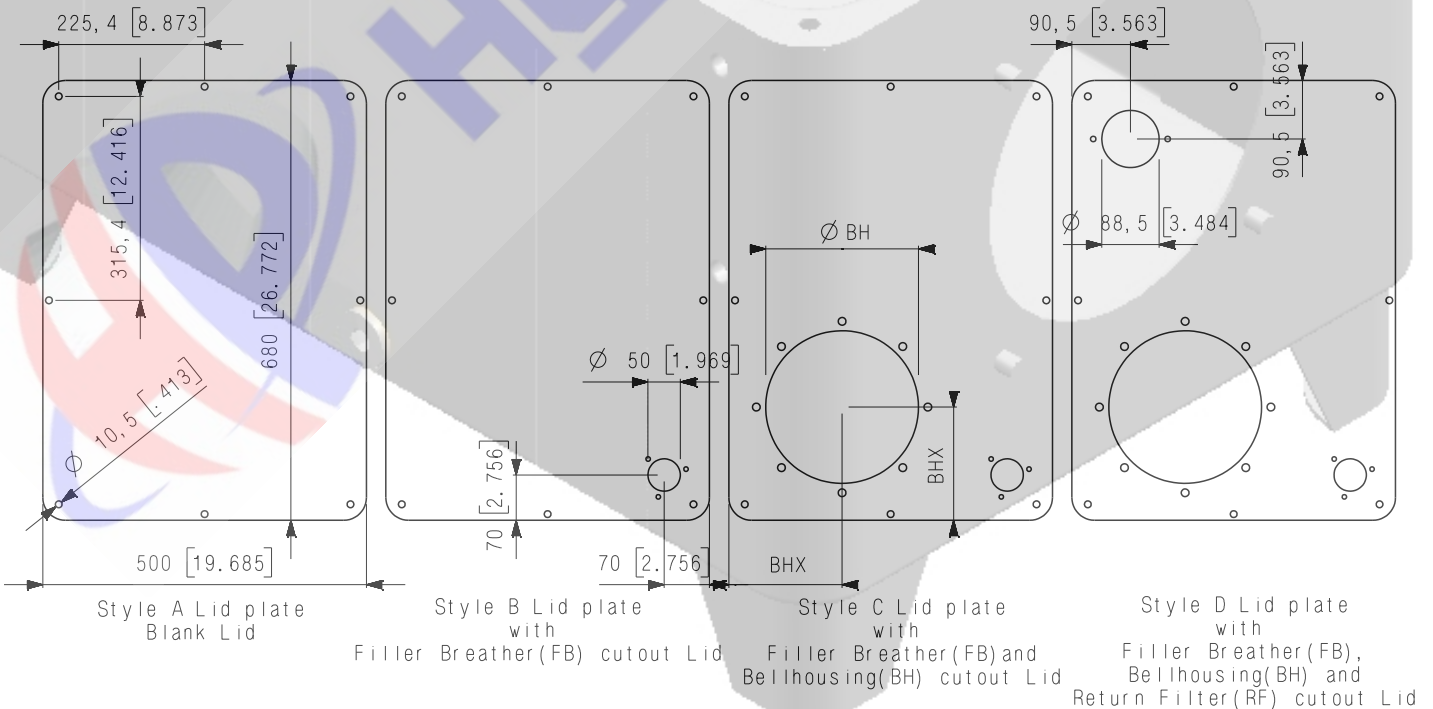


Weldless Steel Tank 100 Liter Type B (26,4 Gallon)

mm [in]

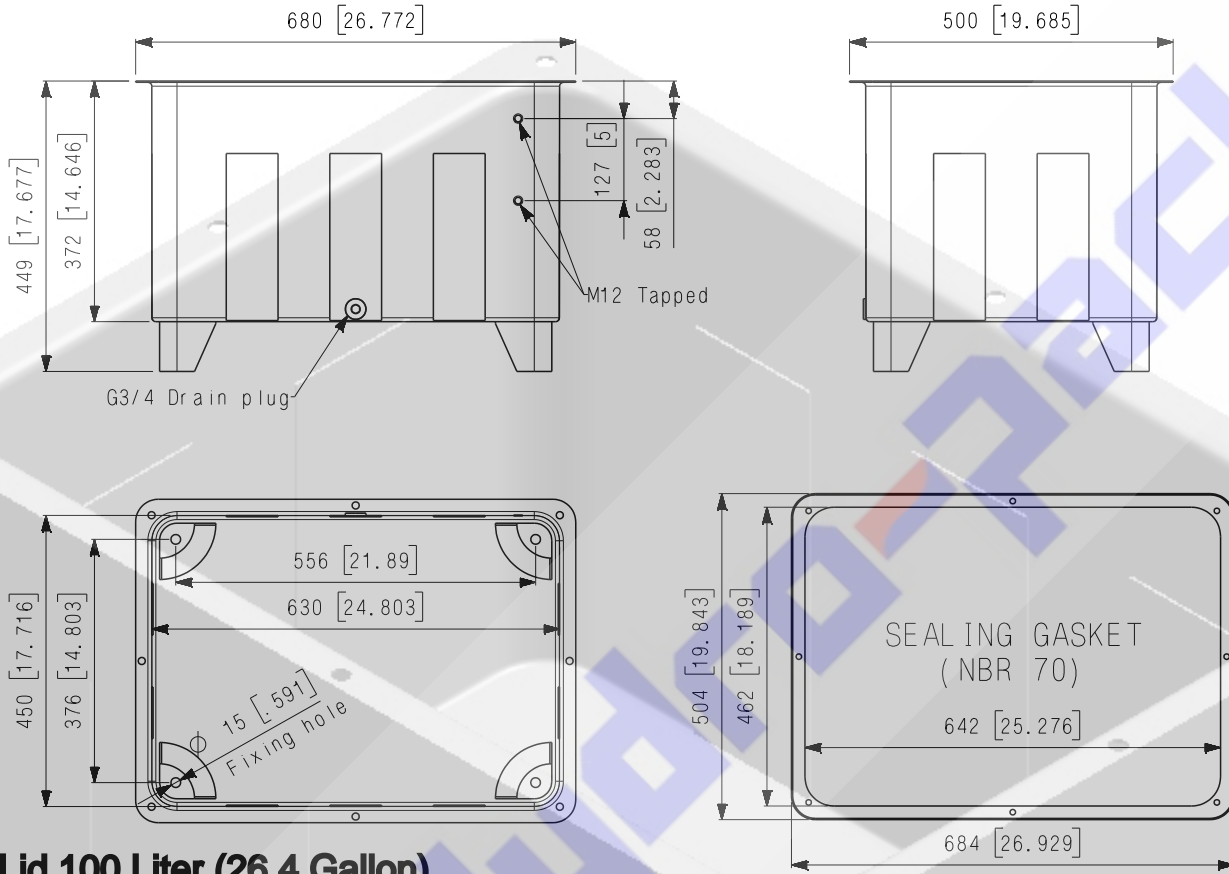


Lid 100 Liter (26,4 Gallon)

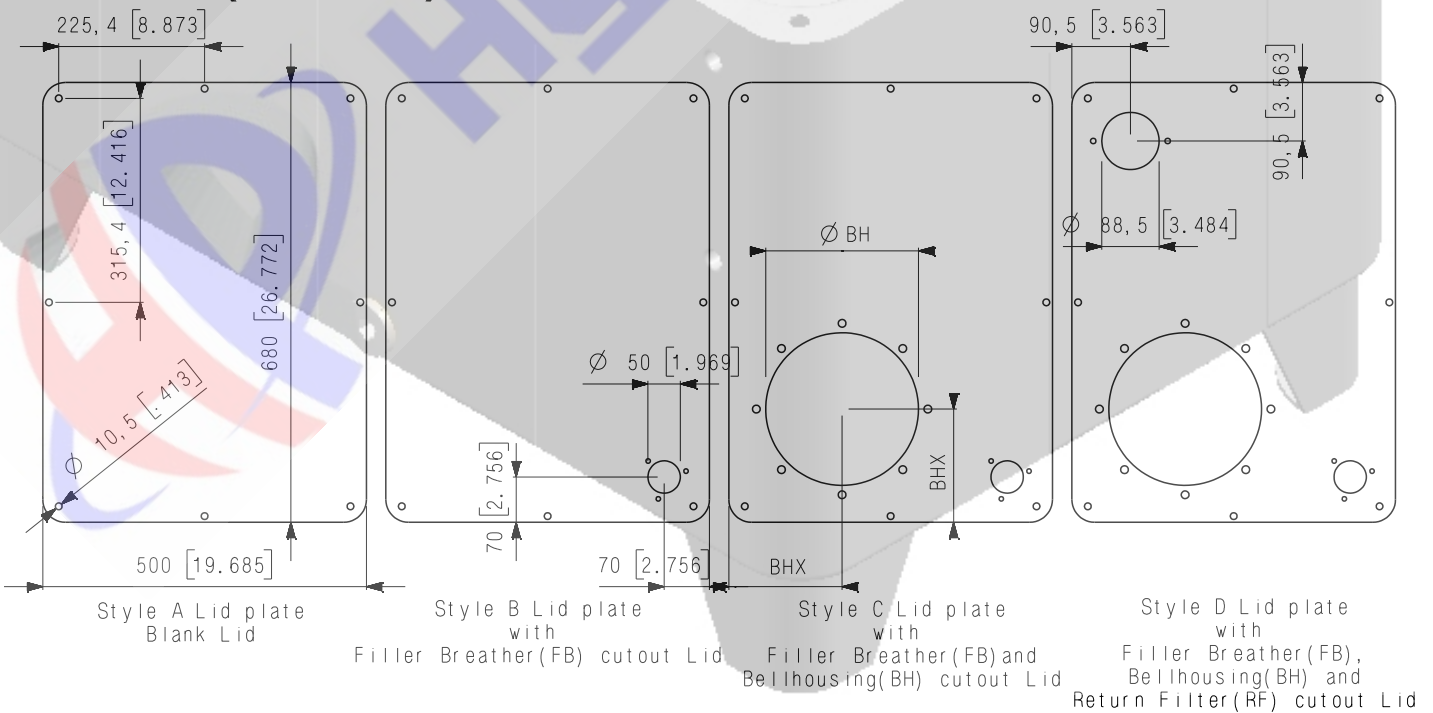


Weldless Steel Tank 100 Liter Type C (26,4 Gallon)

mm [in]

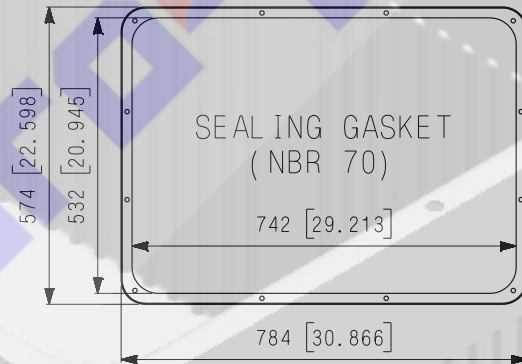
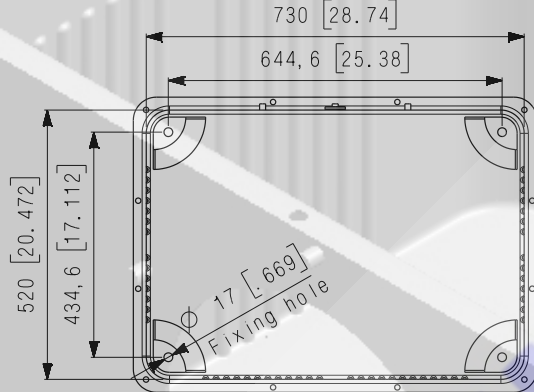
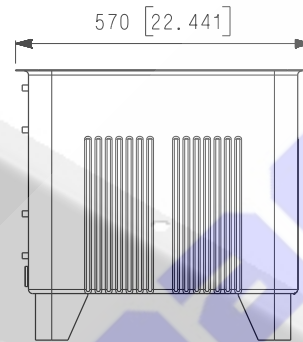
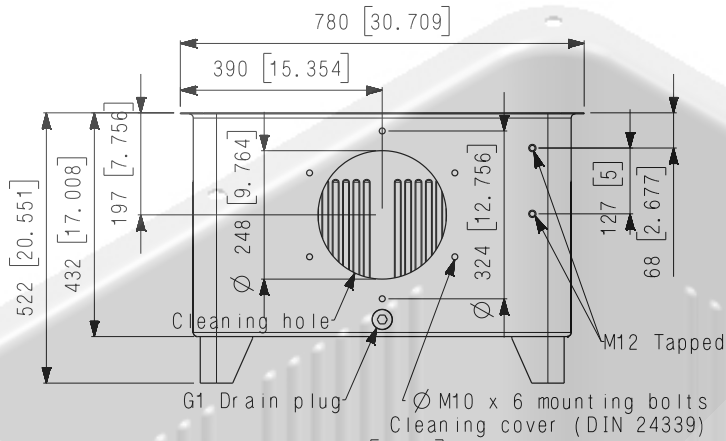


Lid 100 Liter (26,4 Gallon)

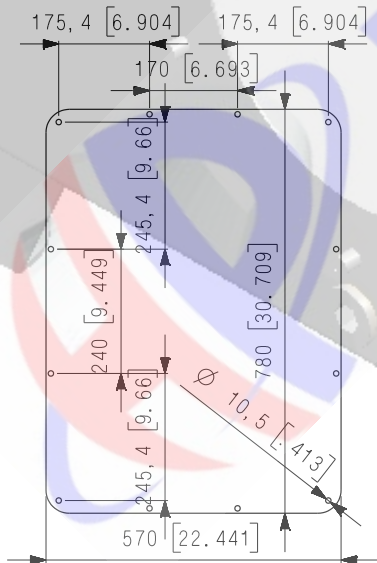


Weldless Steel Tank 160 Liter Type A (42,3 Gallon)

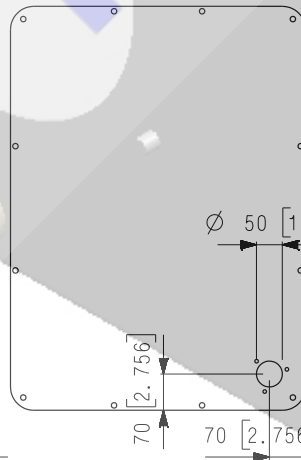
mm [in]



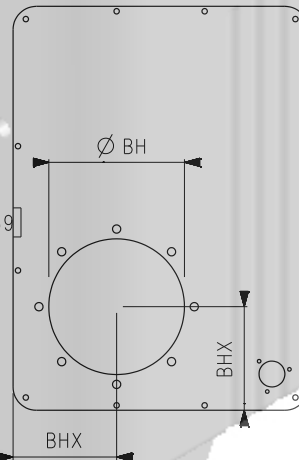
Lid 160 Liter (42,3 Gallon)



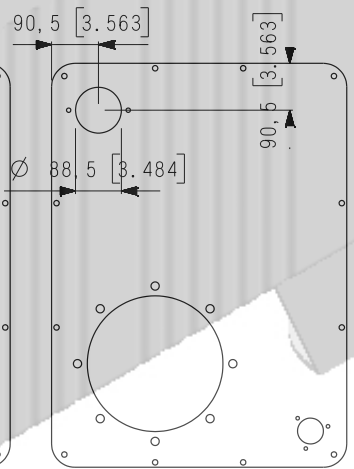
Style A Lid plate
Blank Lid



Style B Lid plate
with
Filler Breather (FB)
cutout Lid



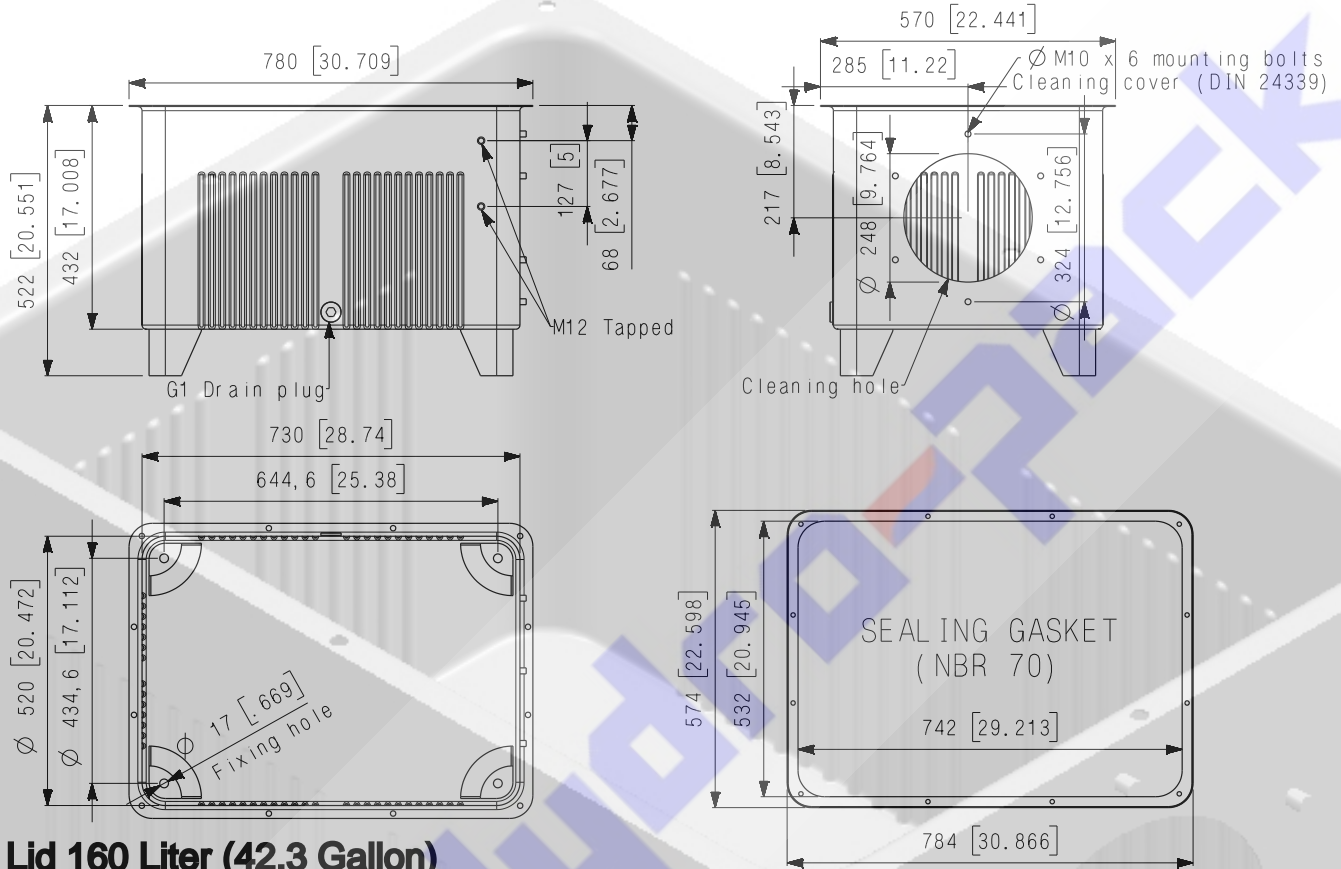
Style C Lid plate
with
Filler Breather (FB) and
Bellhousing (BH)
cutout Lid



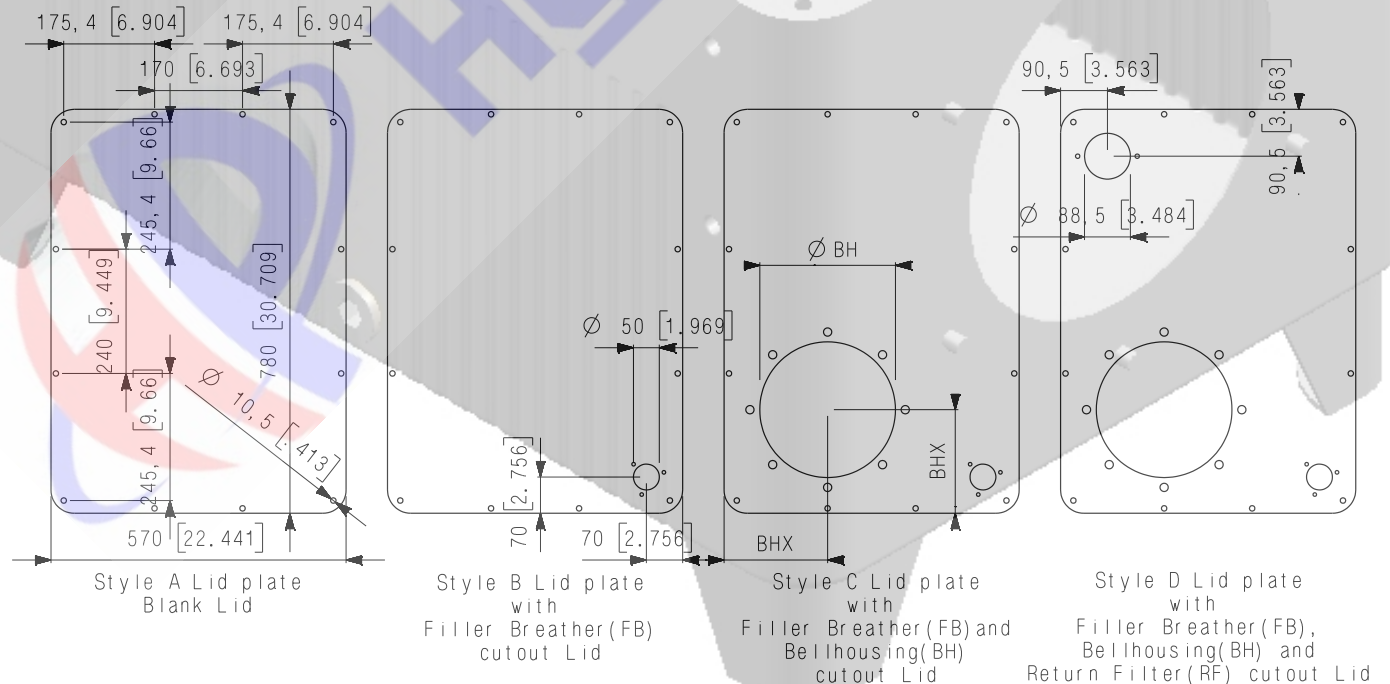
Style D Lid plate
with
Filler Breather (FB),
Bellhousing (BH) and
Return Filter (RF)
cutout Lid

Weldless Steel Tank 160 Liter Type B (42,3 Gallon)

mm [in]

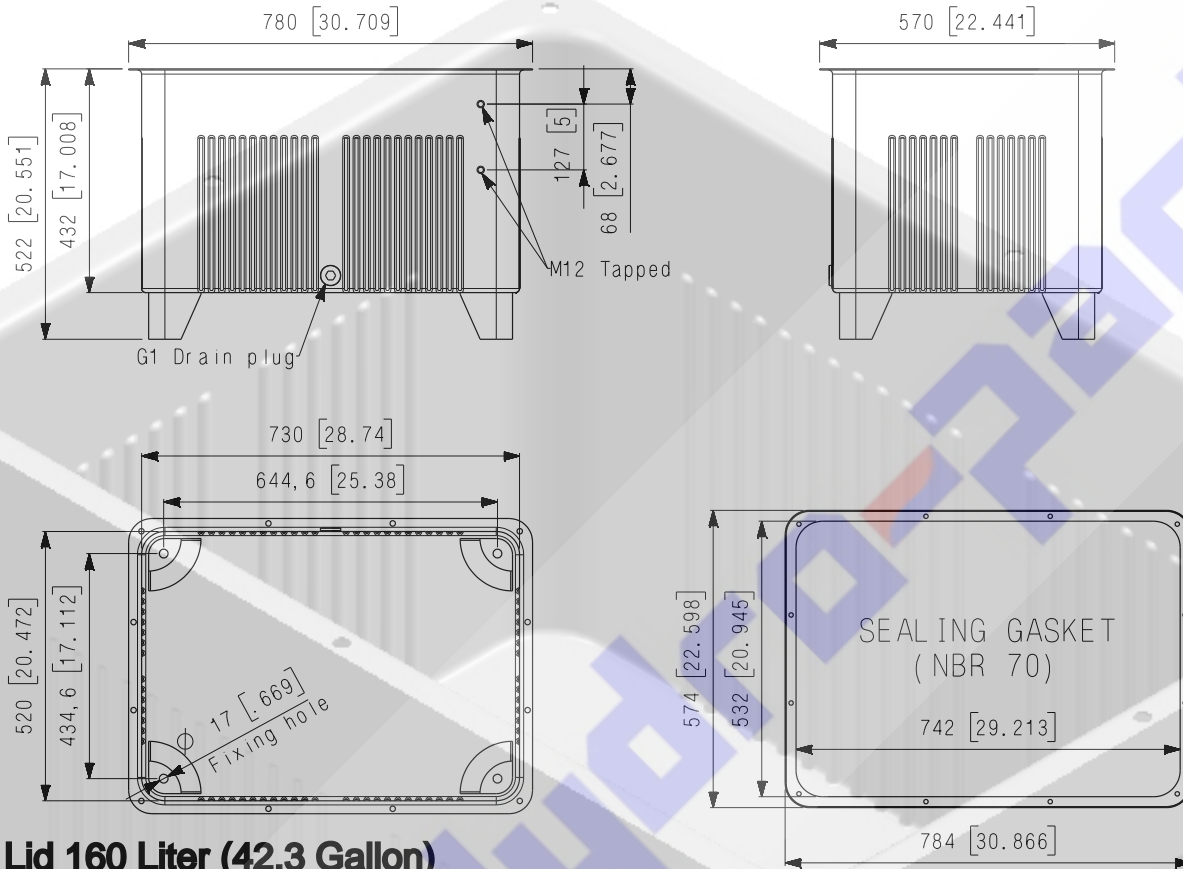


Lid 160 Liter (42,3 Gallon)

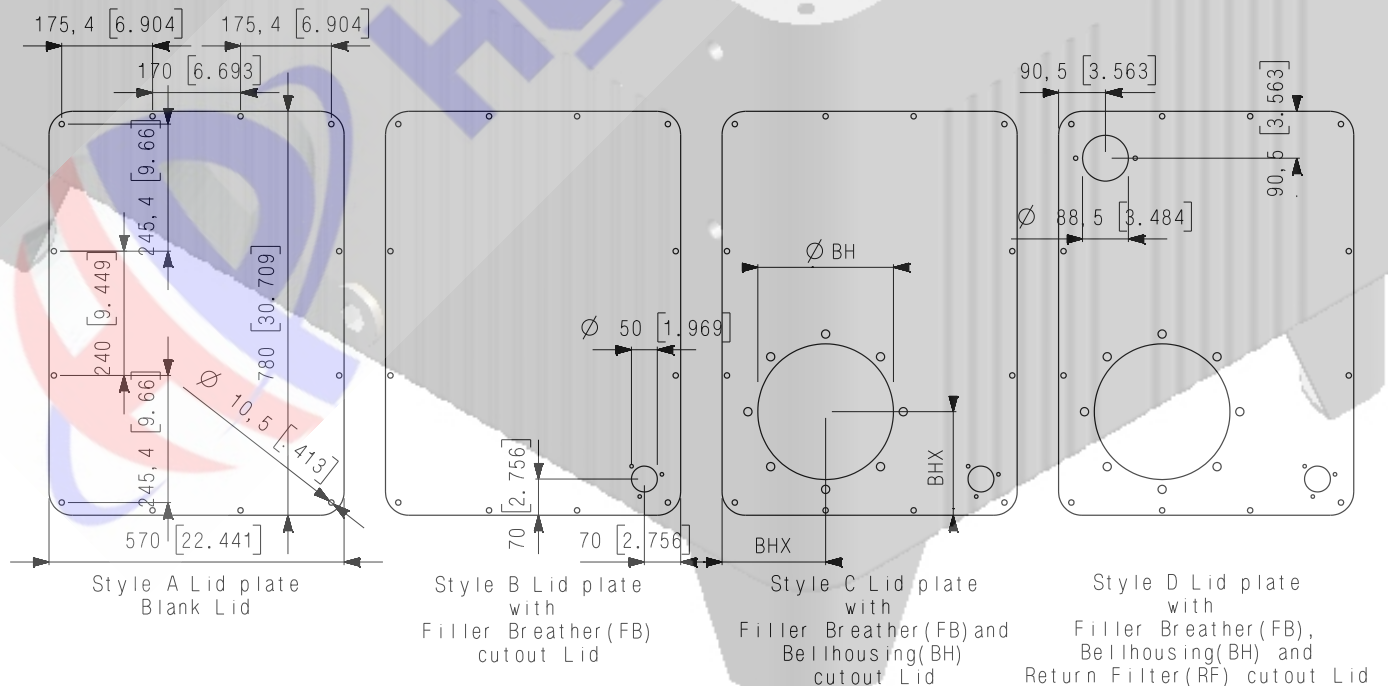


Weldless Steel Tank 160 Liter Type C (42,3 Gallon)

mm [in]

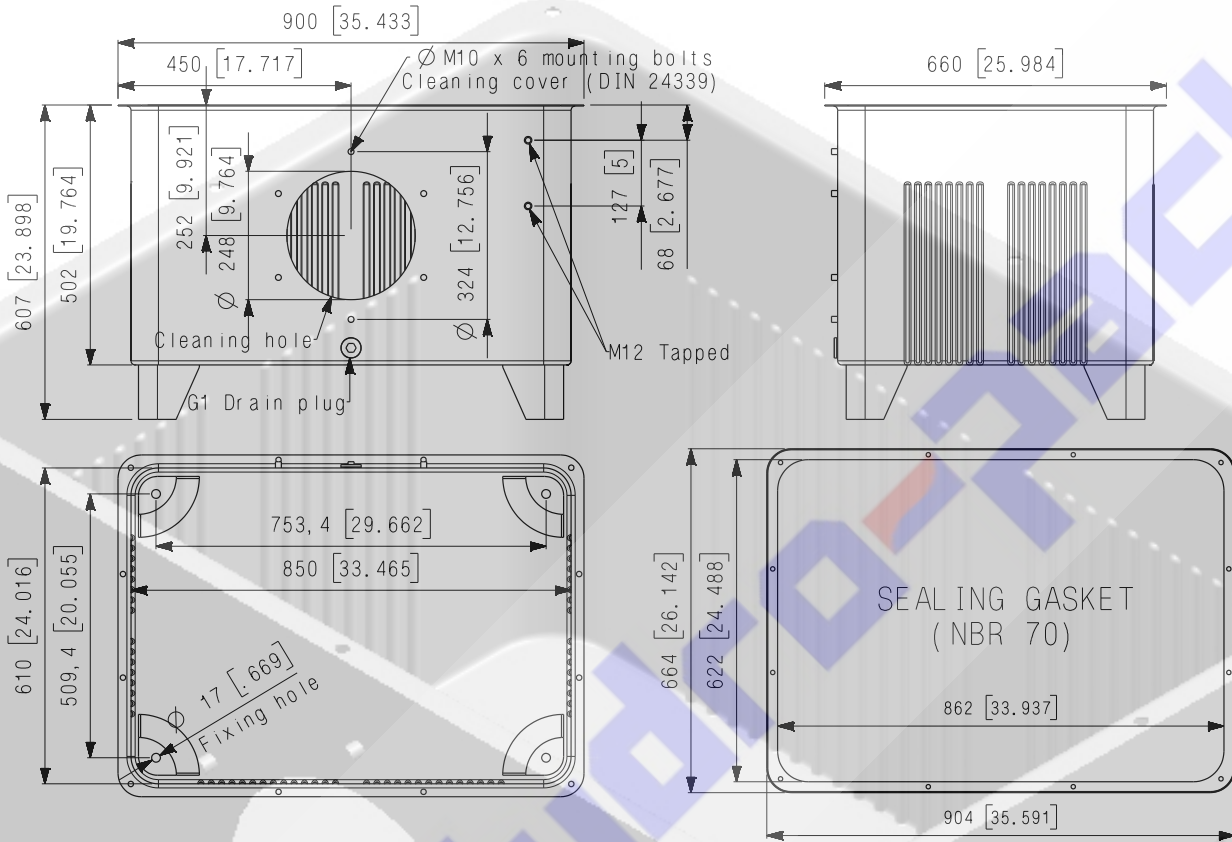


Lid 160 Liter (42,3 Gallon)

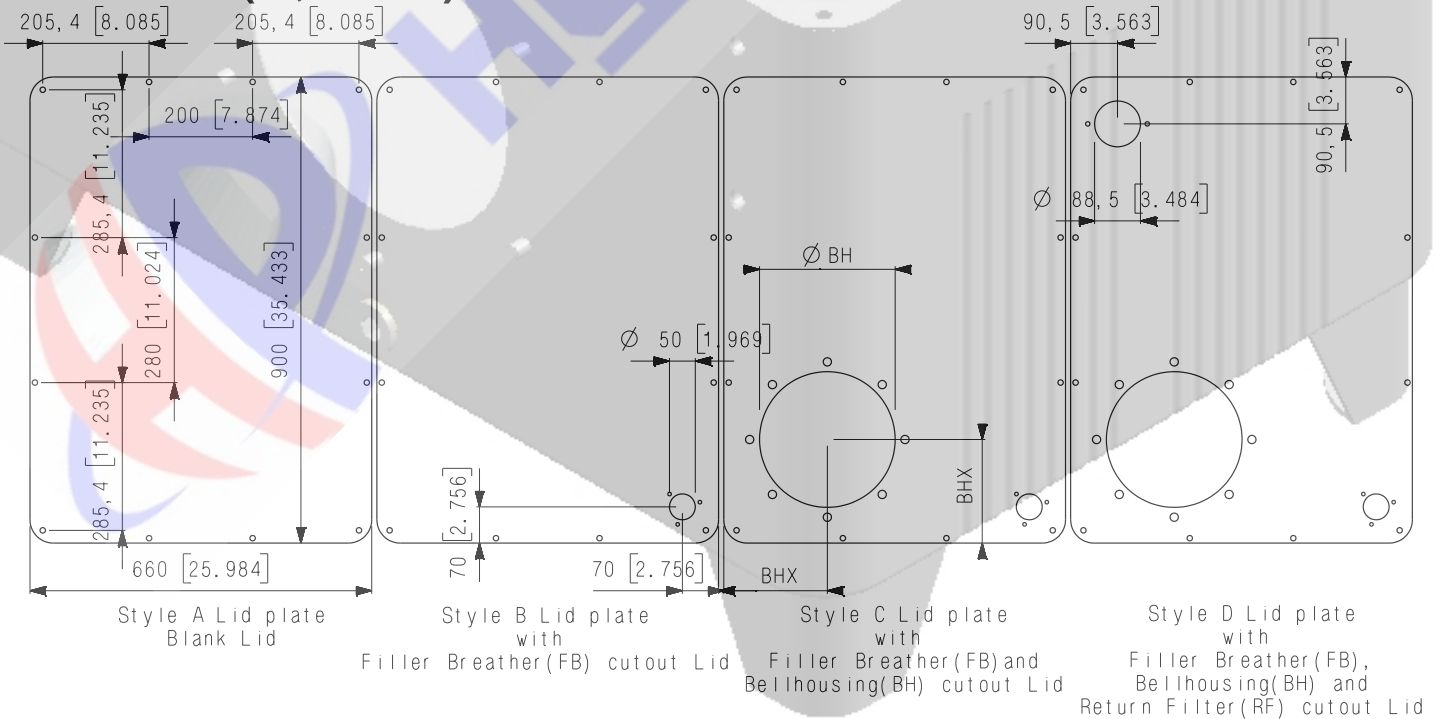


Weldless Steel Tank 250 Liter Type A (66,0 Gallon)

mm [in]

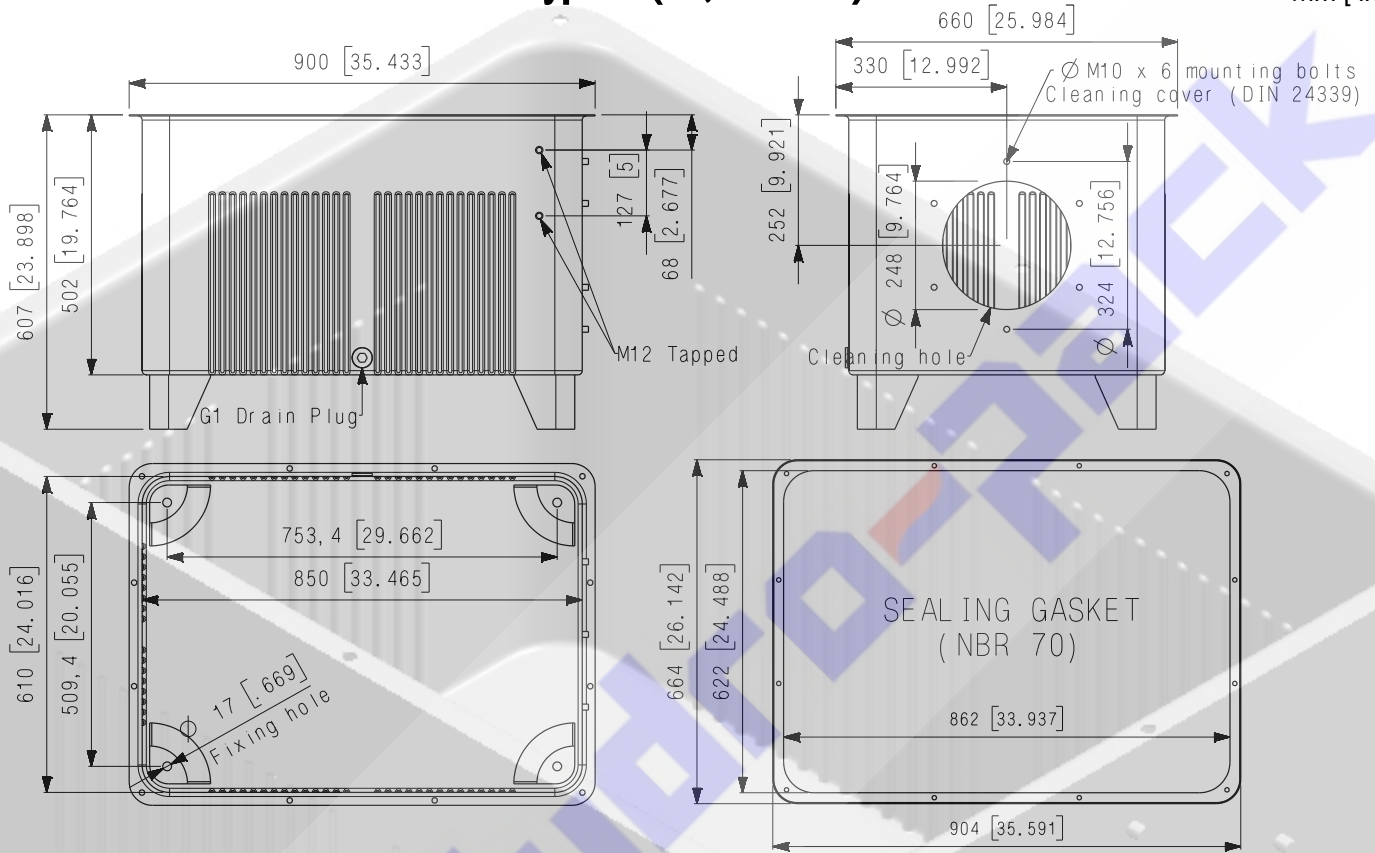


Lid 250 Liter (66,0 Gallon)

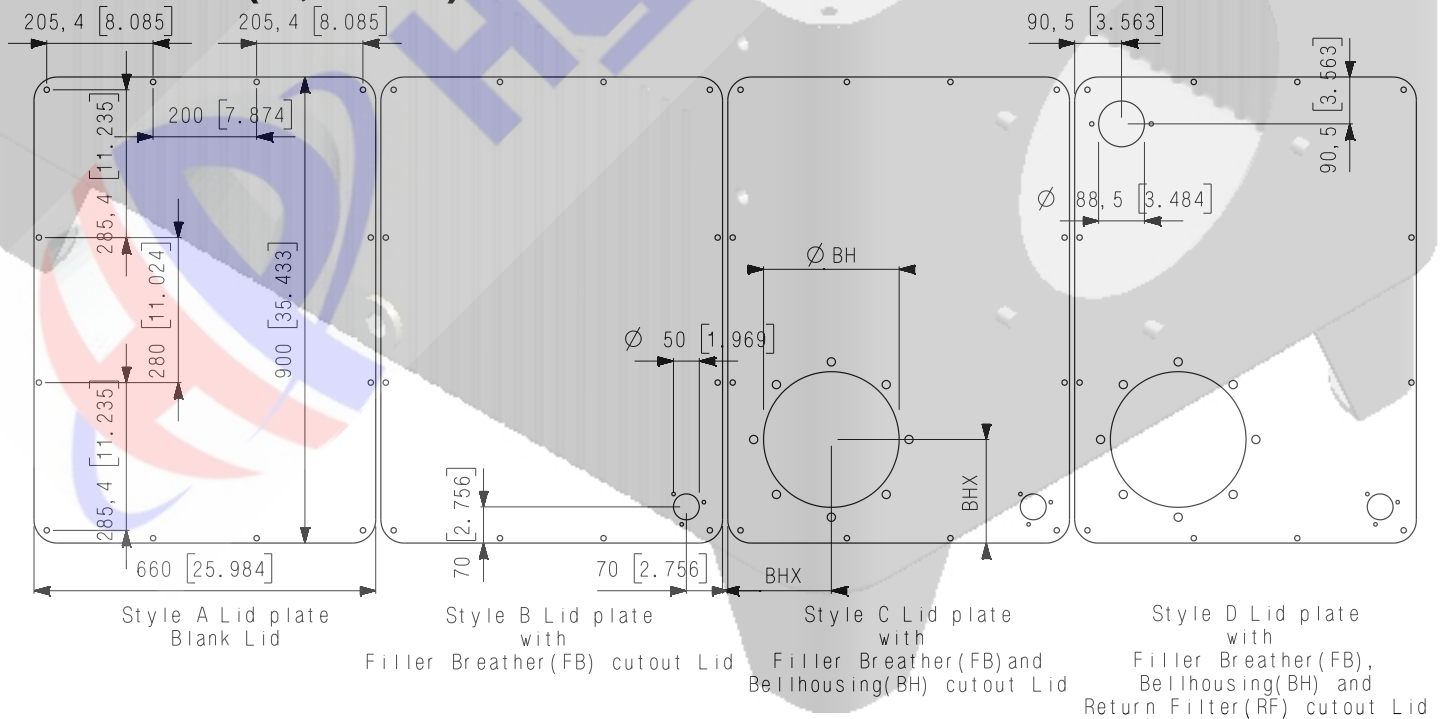


Weldless Steel Tank 250 Liter Type B (66,0 Gallon)

mm [in]

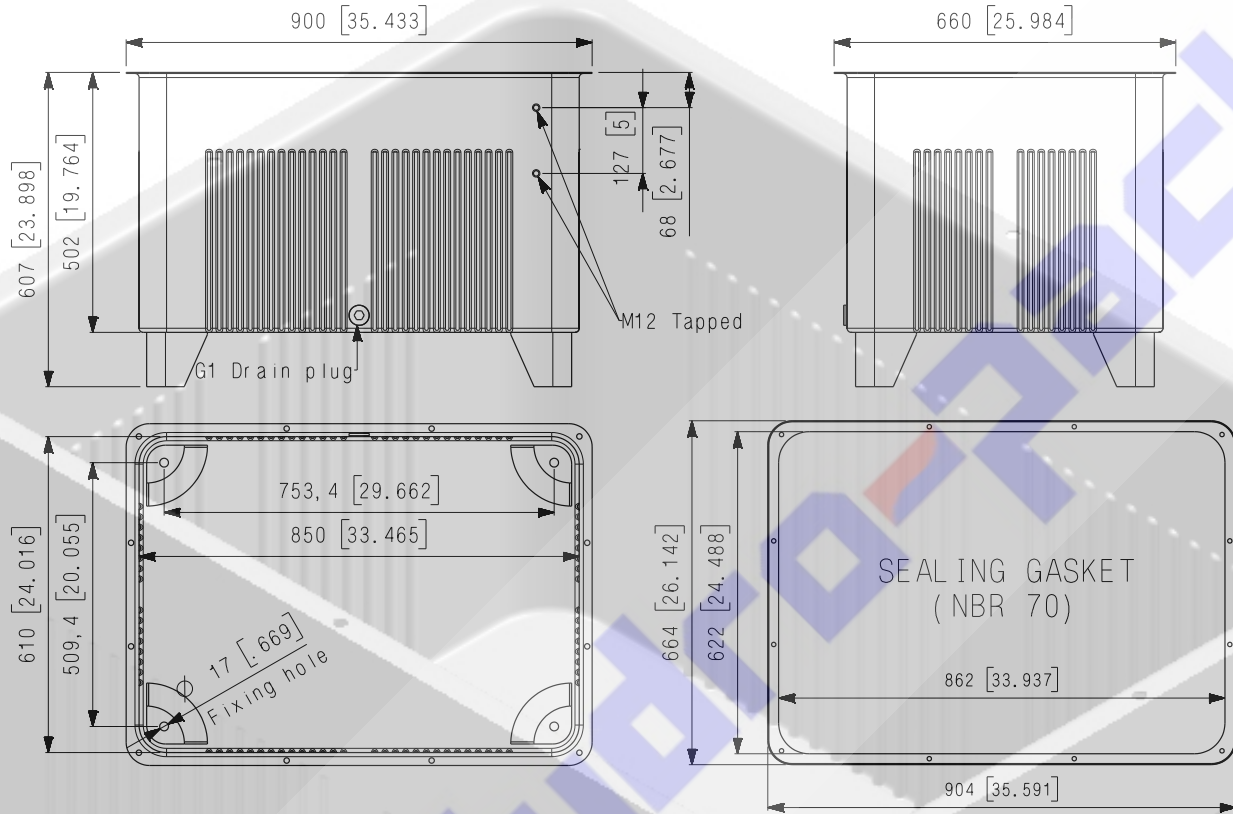


Lid 250 Liter (66,0 Gallon)



Weldless Steel Tank 250 Liter Type C (66,0 Gallon)

mm [in]



Lid 250 Liter (66,0 Gallon)

