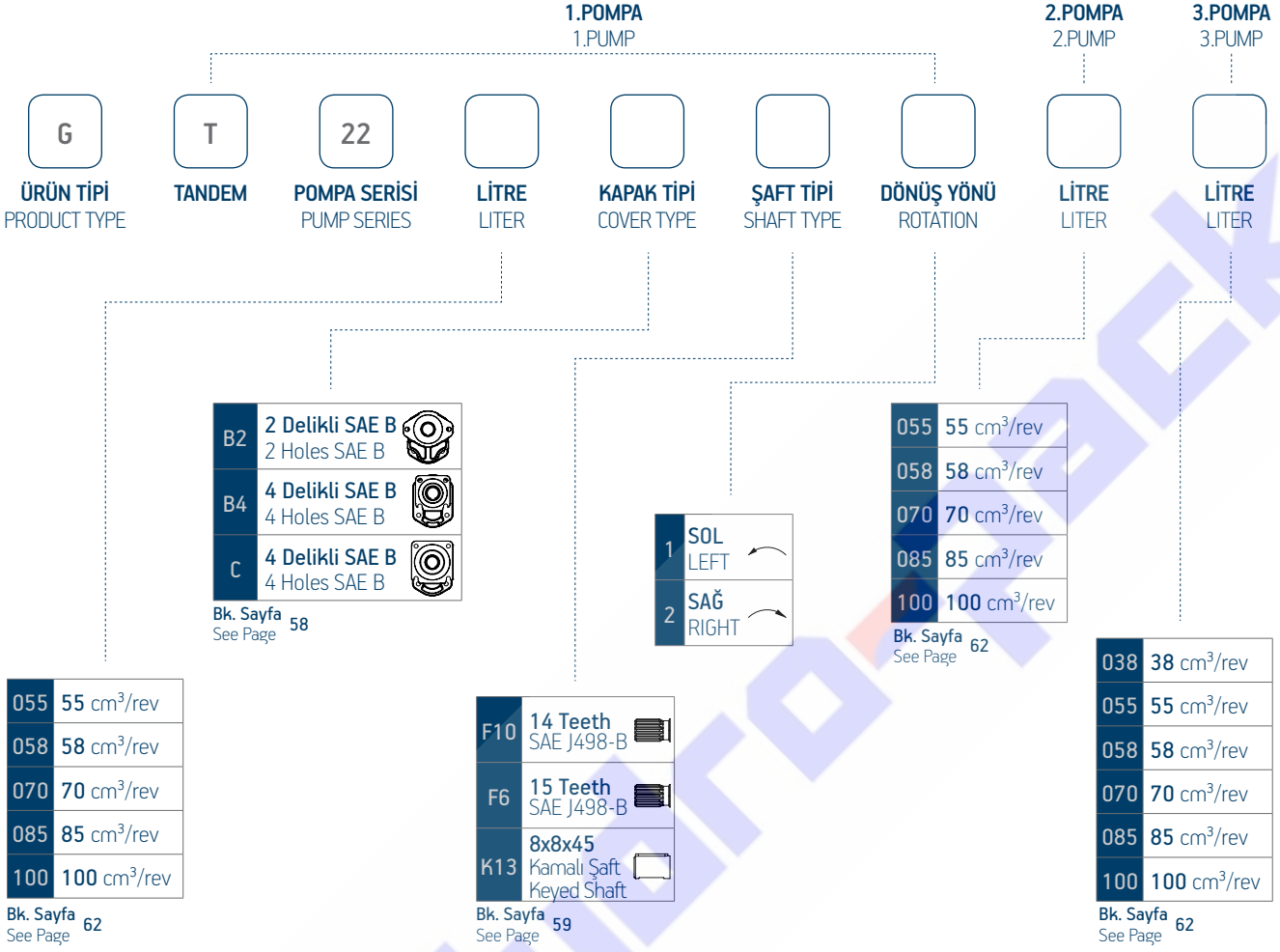
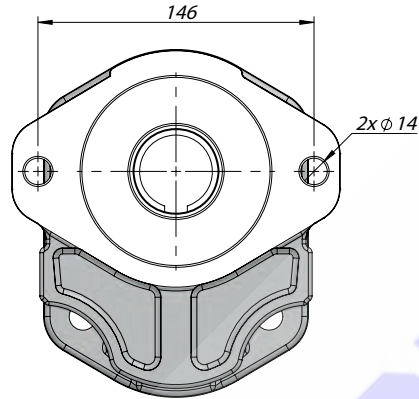
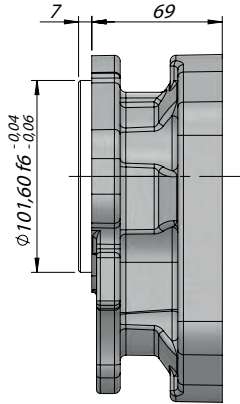
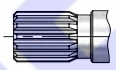


TANDEM POMPA KODLAMA SİSTEMİ | TANDEM PUMP CODING SYSTEM


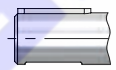
ÖN KAPAKLAR | FRONT COVERS



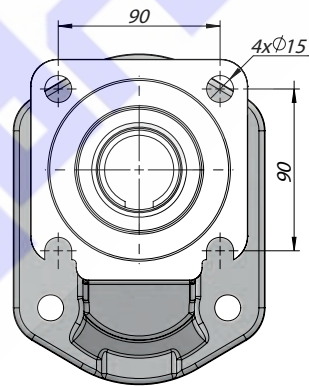
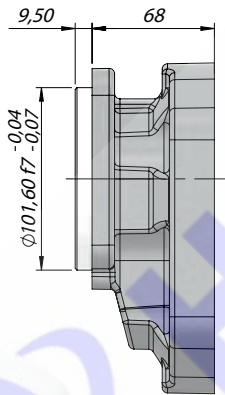
B2



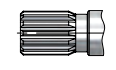
F10



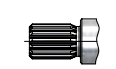
K13



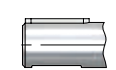
B4



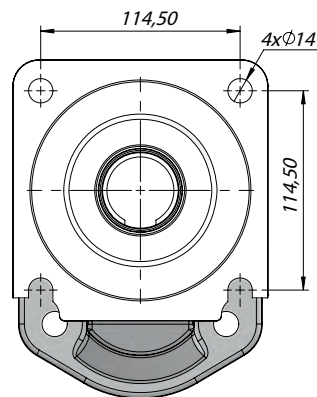
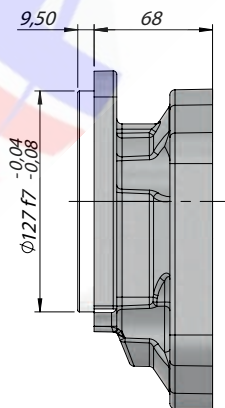
F10



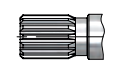
F6



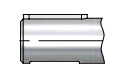
K13



C



F10

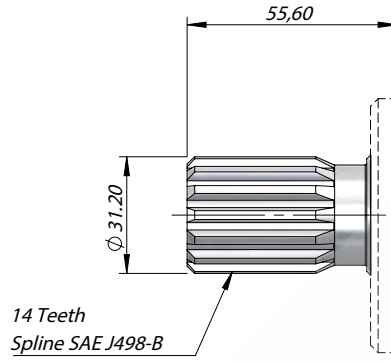


K13

ŞAFT TIPLERİ | SHAFT TYPES

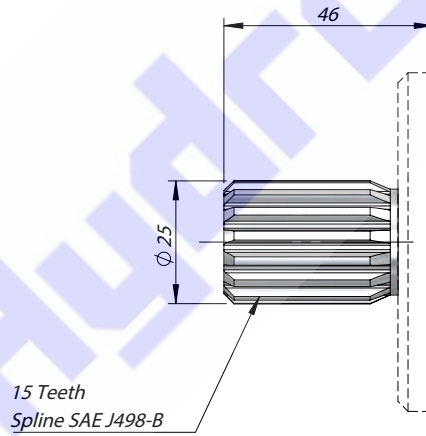
F10

MAX 900 Nm



F6

MAX 500 Nm



K13

MAX 600 Nm

