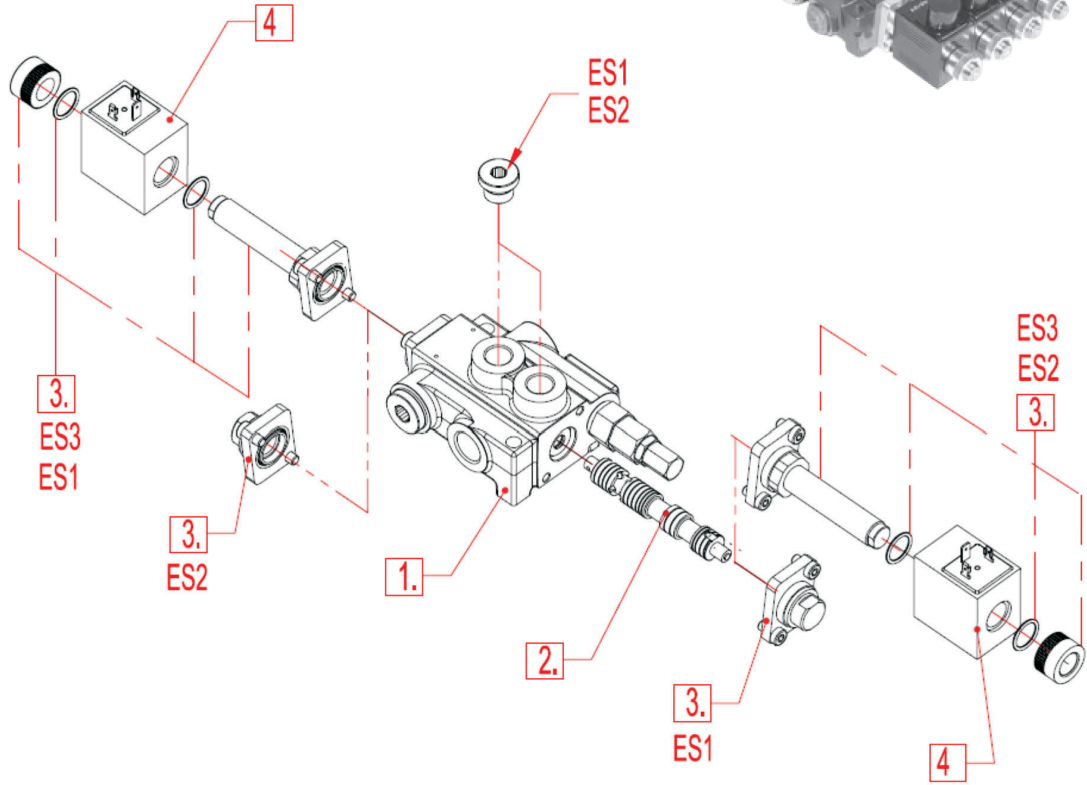


Solenoid direct control with spring return to neutral position.  
Normal konumuna yay geri dönüşlü selenoid valf  
Needs special spools and special body Z50 / Z80  
Özel spullar

**ES...SOLENOID DIRECT CONTROL**  
**ES...SELENOİDLİ KUMANDA KONTOL**

**ORDERING EXAMPLE / SİPARİŞ ÖRNEĞİ**

Z50 A ES3 12VDC G  
1 2 3 4 5



**1.Body kit / Gövde kiti**

Type / Tipi	Description/Tanım
Z50/ Z80	1 spool
02Z50/ 02Z80	2 spool
03Z50/ 03Z80	3 spool
04Z50/ 04Z80	4 spool
05Z50/ 05Z80	5 spool
06Z50/ 06Z80	6 spool

**2.Spool options / Spol seçenekleri**

Type/Tipi	Description / Tanımı
A	Double acting, 3 positions Çift etkili, 3 pozisyonlu with A and B closed in neutral position A ve B nötr pozisyonda kapalıyken
D	Double acting, 3 positions Çift etkili, 3 pozisyonlu with A and B open to Tank in neutral position A ve B nötr pozisyonda Tankta açılıyor

**3.Control kit / Kontrol kiti**

Type / tipi	Description / Tanımı
Es1	Single acting P-A with spring return in neutral position Tek etkili P-A nötr pozisyona yay dönüşü
Es2	Single acting P-B with spring return in neutral position Tek etkili P-B nötr pozisyona yay dönüşü
Es3	Double acting P-(B) with spring return in neutral position Tek etkili P-(B) nötr pozisyona yay dönüşü

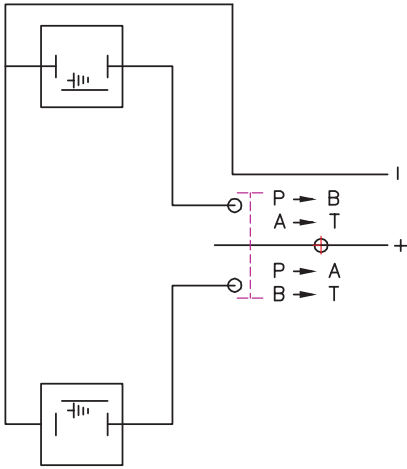
**4.Coils**

Type / Tipi	Description / Tanımı
(with connector ISO 4400)	
12VDC	Nominal voltage 12VDC Normal voltaj 12VDC
24VDC	Nominal voltage 24VDC Normal voltaj 24VDC

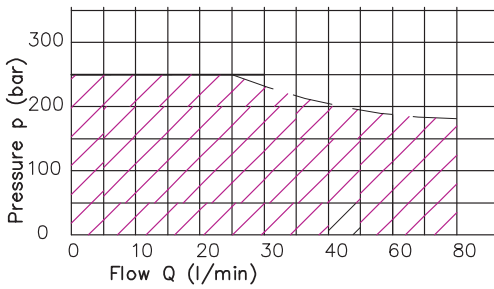
**5.Threads**

G	P.T - G1/2; A,B - G3/8 ( Z50 )
G	P, A, B-G1/2; T-G3/4 ( Z80 )

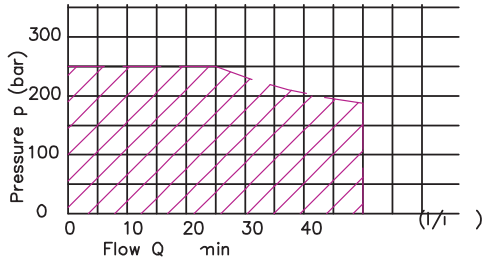
Electric wiring sheme



Operating diagram - Z80

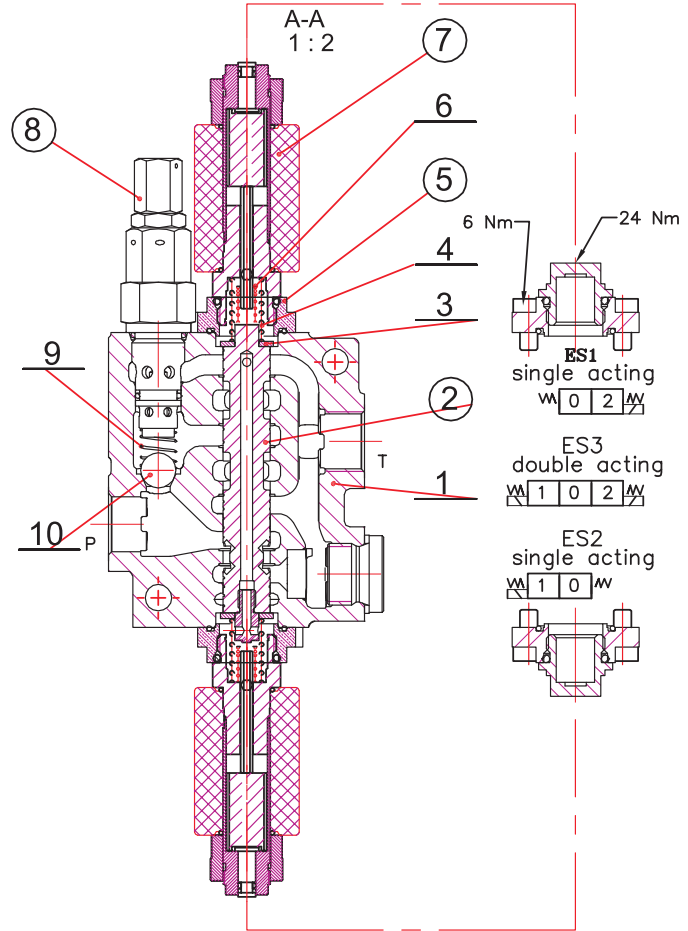


Operating diagram - Z50



Directional control valve Z50 / Z80 kumanda kolları

ES ... Solenoid direct control  
ES ... Selenoid kontrollü kumanda kolu



**Operating features**  
**Çalışma Özellikleri**

**Control -Z50**

Internal leakage A(B) → T  
(p=120 bar, Viscosity=32 mm<sup>2</sup>/s : max 30 ccm/min)  
Fluid temperature - -20°C(short time) ... 80°C  
Max. back pressure on outlet port T - 25 bar(360 psi)

**Coil**

Nominal voltage tolerance . . . . . ±10%  
Power rating . . . . . 37 W  
Coil insulation . . . . . class H  
Duty cicle . . . . . 100%  
Connector ISO 4400  
Imergency manual override

**Control - Z80**

Internal leakage A(B) → T  
(p=120 bar, Viscosity=32 mm<sup>2</sup>/s : max 40 ccm/min)  
Fluid temperature - -20°C(short time) ... 80°C  
Max. back pressure on outlet port T - 25 bar (360psi)

**Coil**

Nominal voltage tolerance . . . . . ±10%  
Power rating . . . . . 37 W  
Coil insulation . . . . . class H  
Duty cicle . . . . . 100%  
Connector ISO 4400  
Imergency manual override