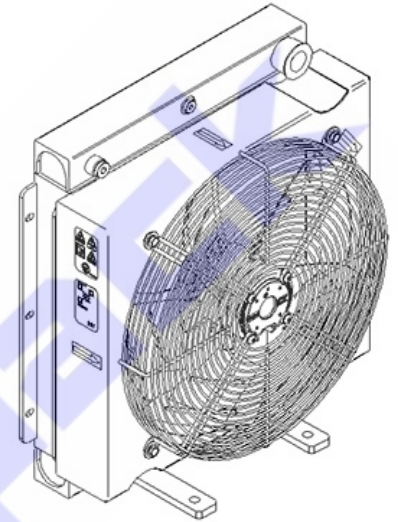
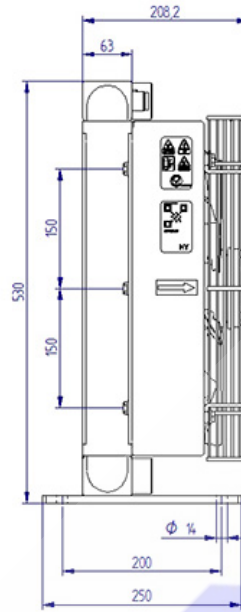
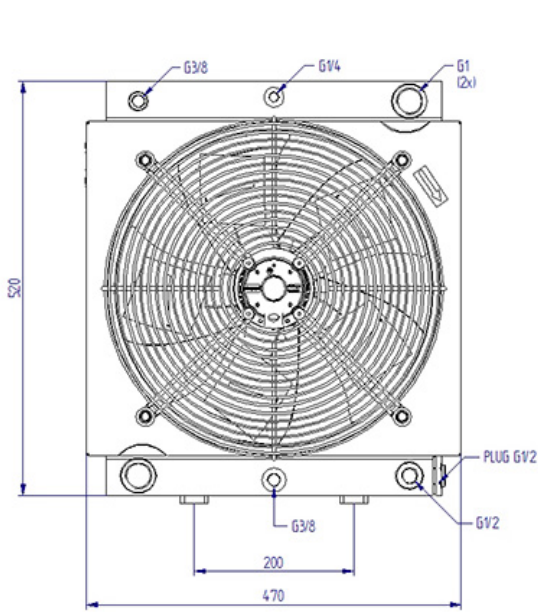


HY series
HY21003

AIR-OIL HEAT EXCHANGERS

IP44

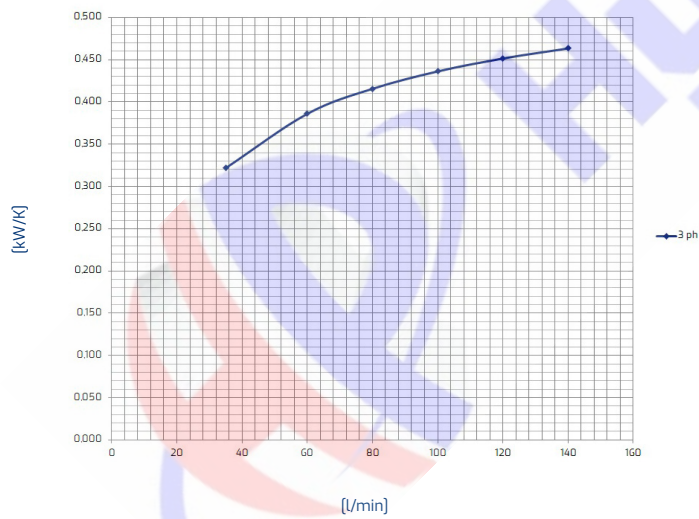
30/40
Volt



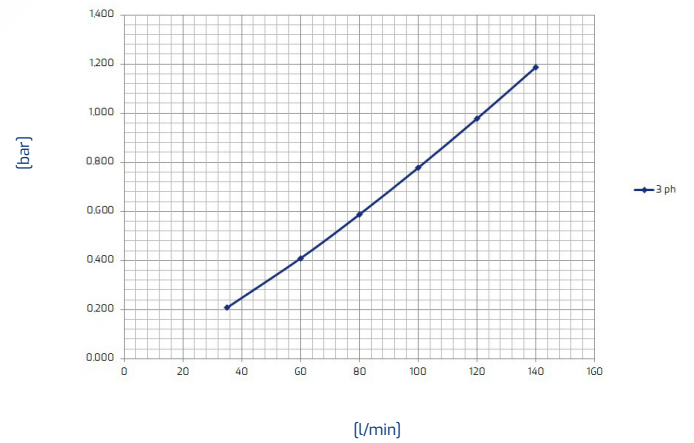
Technical data

Item	Oil flow [l/min]	Capacity [l]	Weight [kg]	Rpm	Voltage [V]	Frequency [Hz]	Current absorption [A]	Power [W]	Ø Fan [mm]	Air flow [m³/h]	Noise level [db(A)]
HY21003	35-140	3.3	21.5		230/400	50/60	0.95	190	400	2456	68

Performance



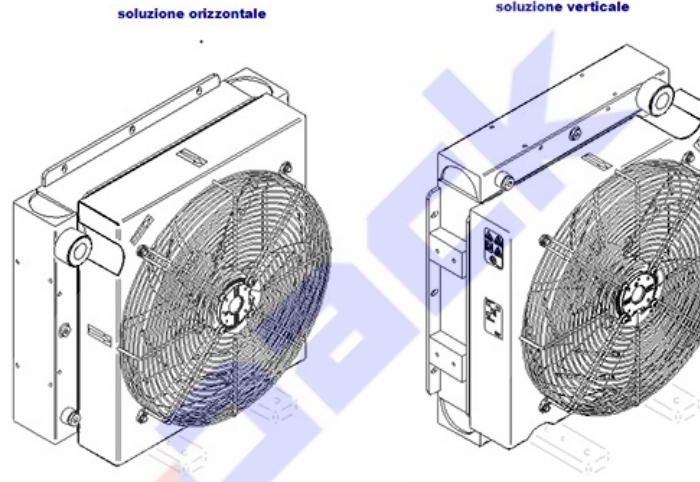
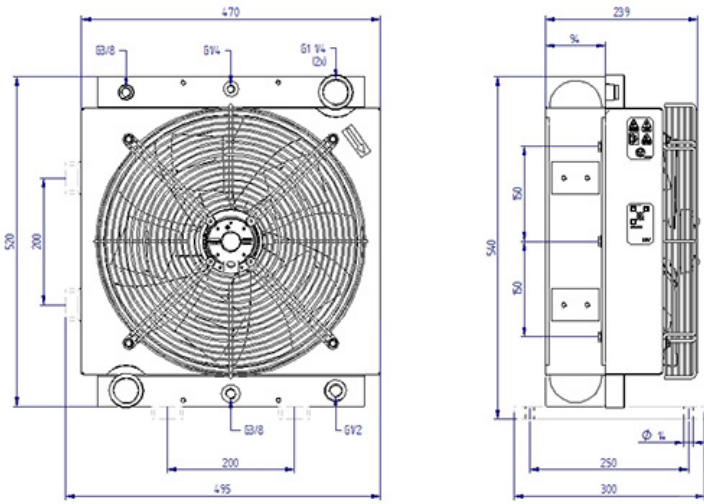
Pressure drop



Oil T 80°C
T Amb. 40°C

Viscosity - ISO VG 32 Oil					
Oil	22	32	46	68	150
Correction factor	0.8	1	1.2	1.6	3

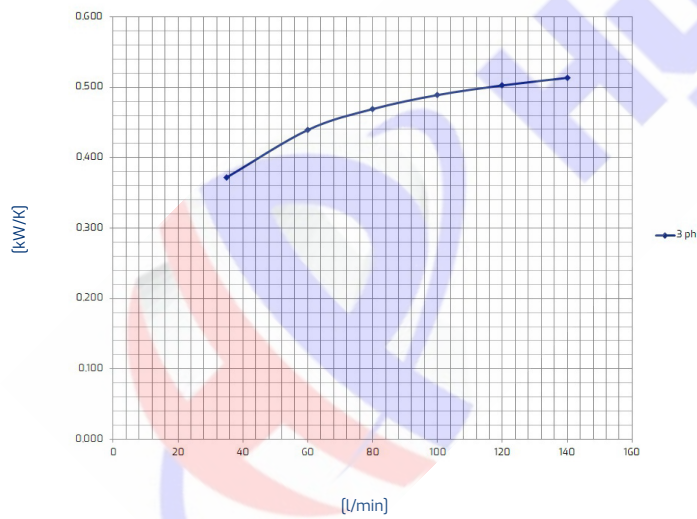
HY series
HY21503



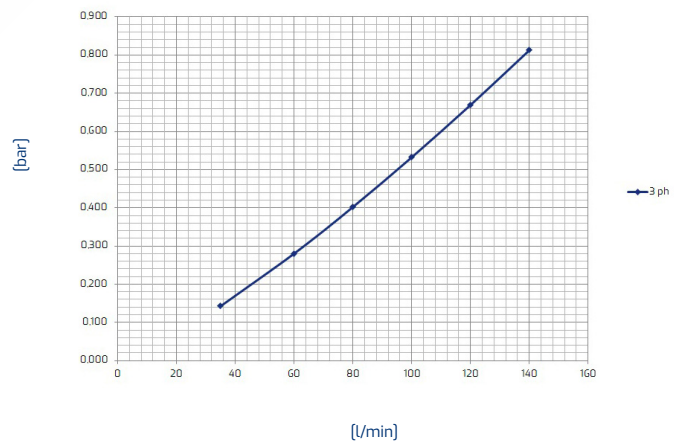
Technical data

Item	Oil flow [l/min]	Capacity [l]	Weight [kg]	Rpm	Voltage [V]	Frequency [Hz]	Current absorption [A]	Power [W]	Ø Fan [mm]	Air flow [m³/h]	Noise level [db(A)]
HY21503	35-140	5,3	26,7		230/400	50/60	0,5	210	400	2190	68

Performance



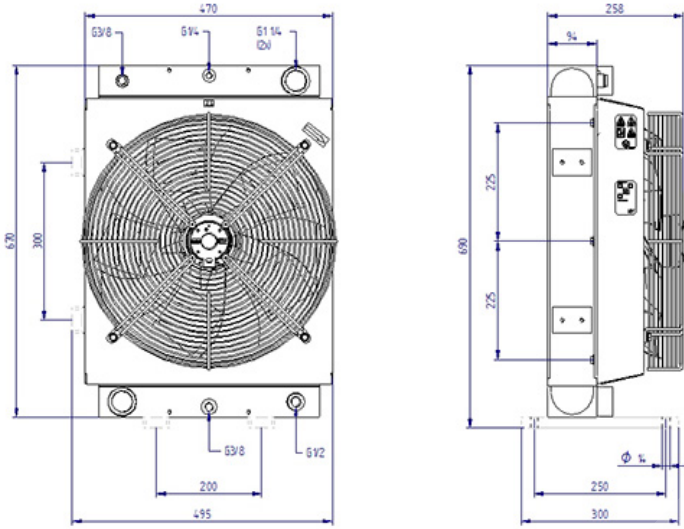
Pressure drop



Oil T 80°C
T Amb. 40°C

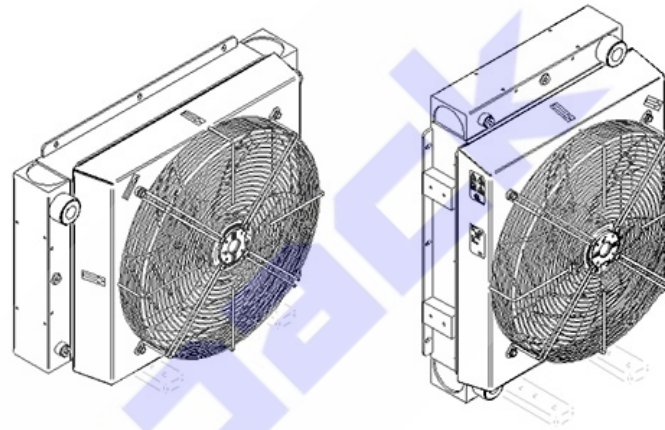
Viscosity - ISO VG 32 Oil					
Oil	22	32	46	68	150
Correction factor	0,8	1	1,2	1,6	3

HY series
HY22003



soluzione orizzontale

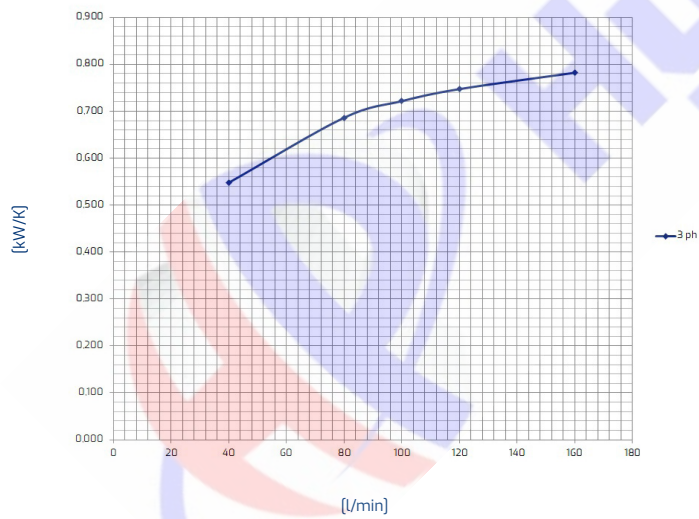
soluzione verticale



Technical data

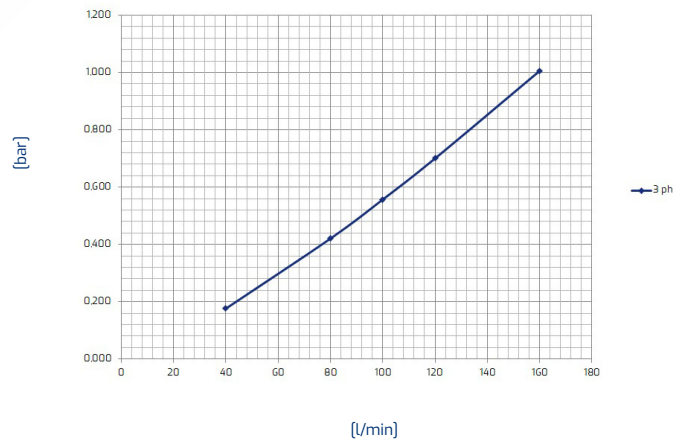
Item	Oil flow [l/min]	Capacity [l]	Weight [kg]	Rpm	Voltage [V]	Frequency [Hz]	Current absorption [A]	Power [W]	Ø Fan [mm]	Air flow [m³/h]	Noise level [db(A)]
HY22003	40-160	6.8	32.5		230/400	50/60	0.61	300	450	3045	72

Performance



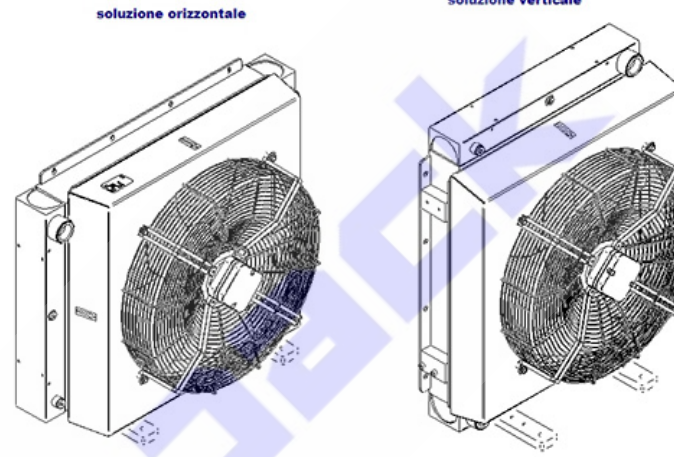
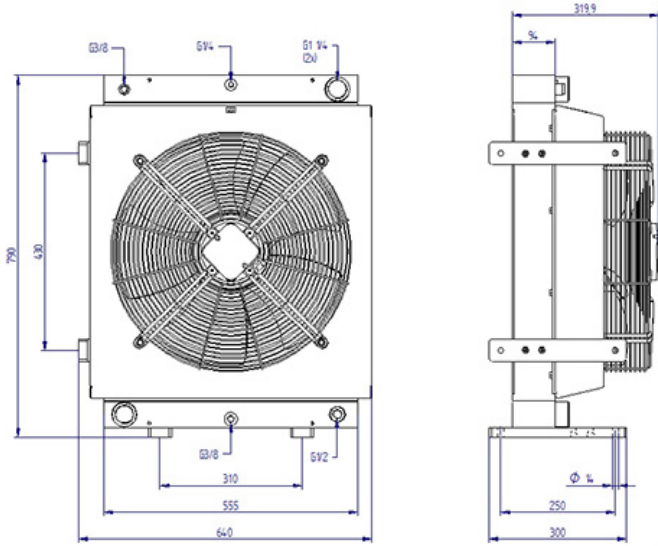
Oil T 80°C
T Amb. 40°C

Pressure drop



Viscosity - ISO VG 32 Oil					
Oil	22	32	46	68	150
Correction factor	0.8	1	1.2	1.6	3

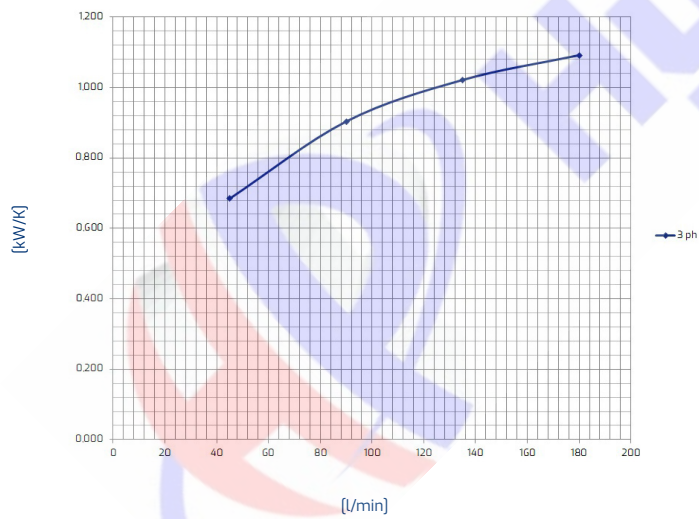
HY series
HY22503



Technical data

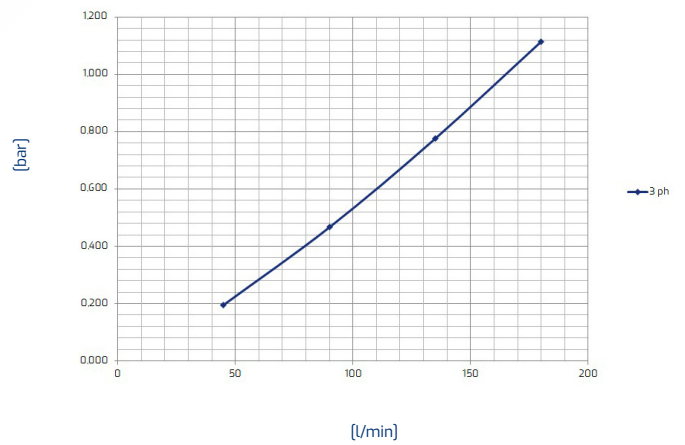
Item	Oil flow [l/min]	Capacity [l]	Weight [kg]	Rpm	Voltage [V]	Frequency [Hz]	Current absorption [A]	Power [W]	Ø Fan [mm]	Air flow [m³/h]	Noise level [db(A)]
HY22503	45-180	10	50		230/400	50/60	1.35	700	500	5563	72

Performance



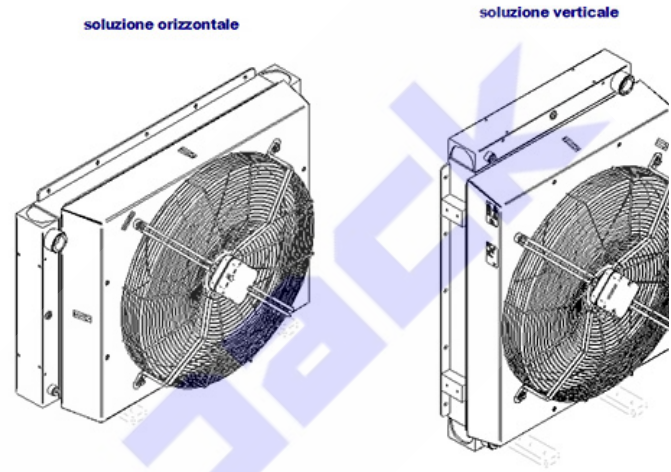
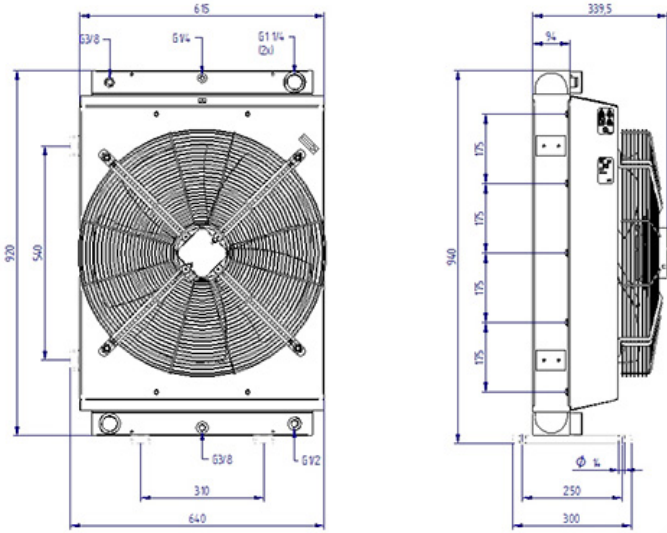
Oil T 80°C
T Amb. 40°C

Pressure drop



Viscosity - ISO VG 32 Oil					
Oil	22	32	46	68	150
Correction factor	0.8	1	1.2	1.6	3

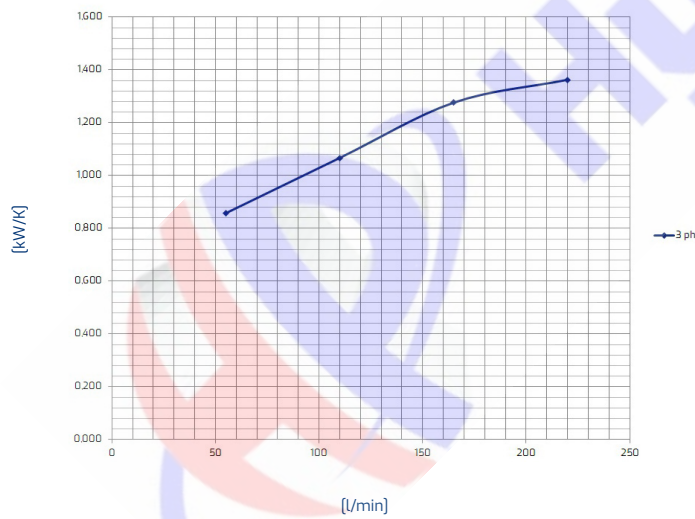
HY series
HY23003



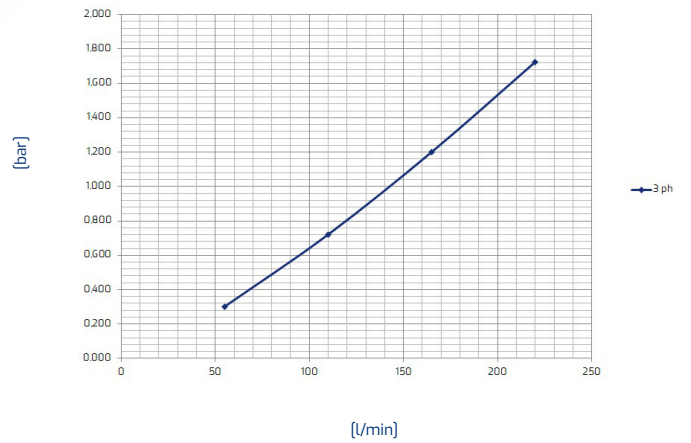
Technical data

Item	Oil flow [l/min]	Capacity [l]	Weight [kg]	Rpm	Voltage [V]	Frequency [Hz]	Current absorption [A]	Power [W]	Ø Fan [mm]	Air flow [m³/h]	Noise level [db(A)]
HY23003	55-220	11.5	62		230/400	50/60	2.15	900	560	7040	72

Performance



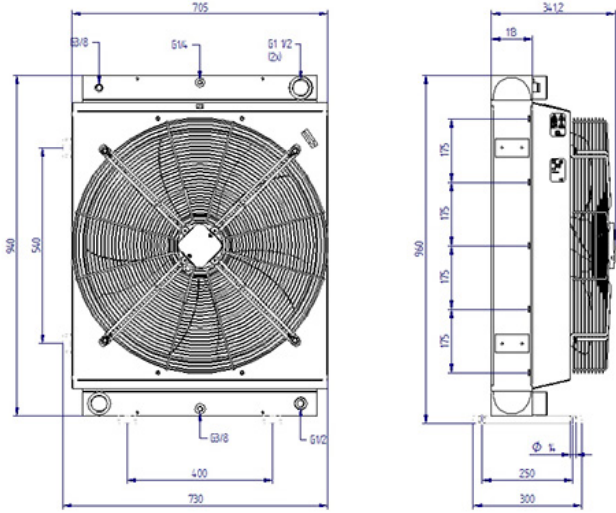
Pressure drop



Oil T 80°C
T Amb. 40°C

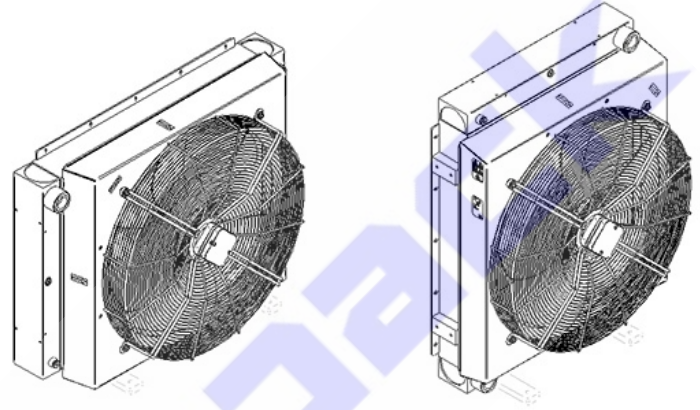
Viscosity - ISO VG 32 Oil					
Oil	22	32	46	68	150
Correction factor	0.8	1	1.2	1.6	3

HY series
HY23203



soluzione orizzontale

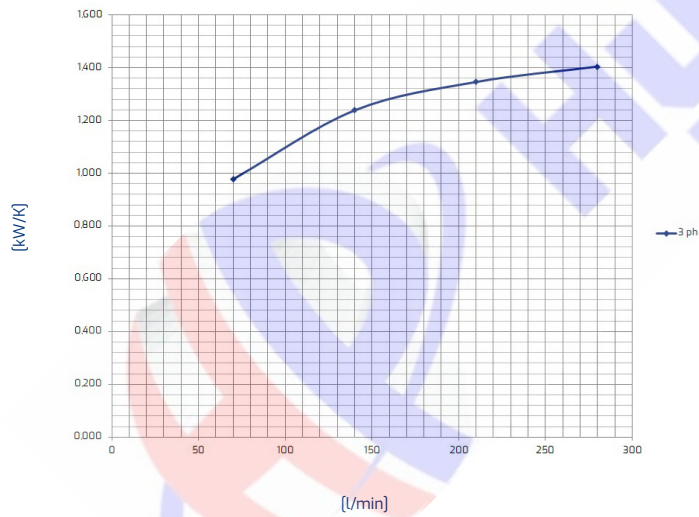
soluzione verticale



Technical data

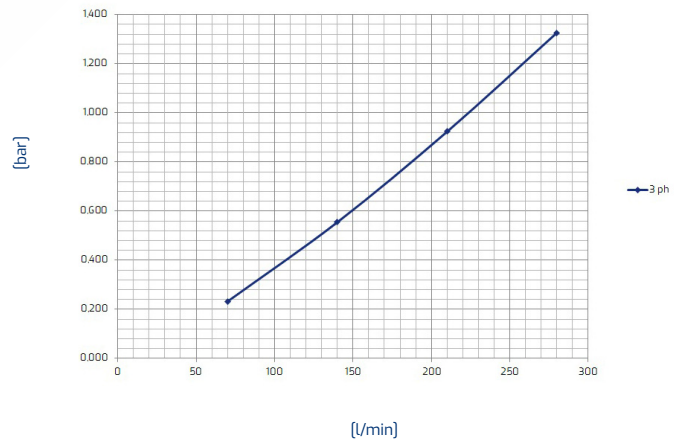
Item	Oil flow [l/min]	Capacity [l]	Weight [kg]	Rpm	Voltage [V]	Frequency [Hz]	Current absorption [A]	Power [W]	Ø Fan [mm]	Air flow [m³/h]	Noise level [db(A)]
HY23203	70-280	16.8	78		230/400	50/60	1.3	600	630	6133	79

Performance



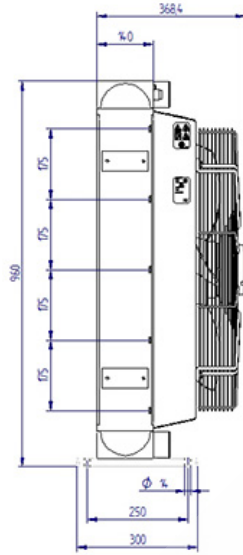
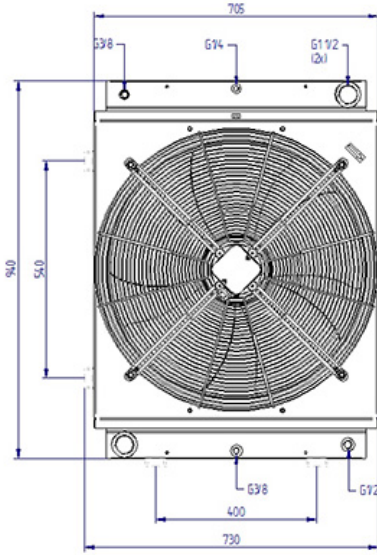
Oil T 80°C
T Amb. 40°C

Pressure drop

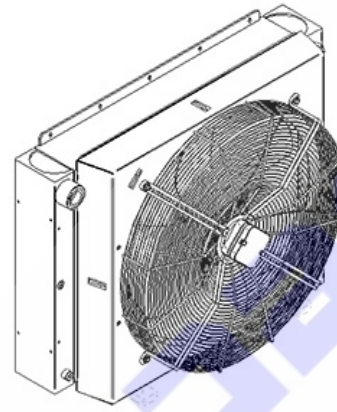


Viscosity - ISO VG 32 Oil					
Oil	22	32	46	68	150
Correction factor	0.8	1	1.2	1.6	3

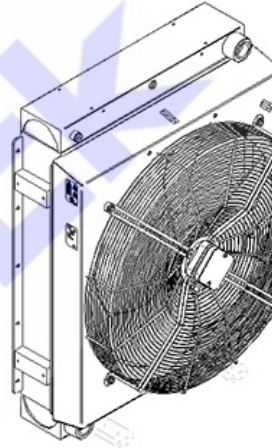
HY series
HY23503



soluzione orizzontale



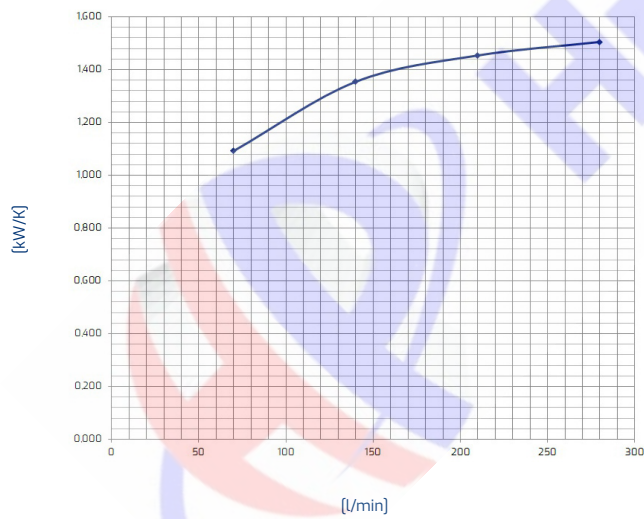
soluzione verticale



Technical data

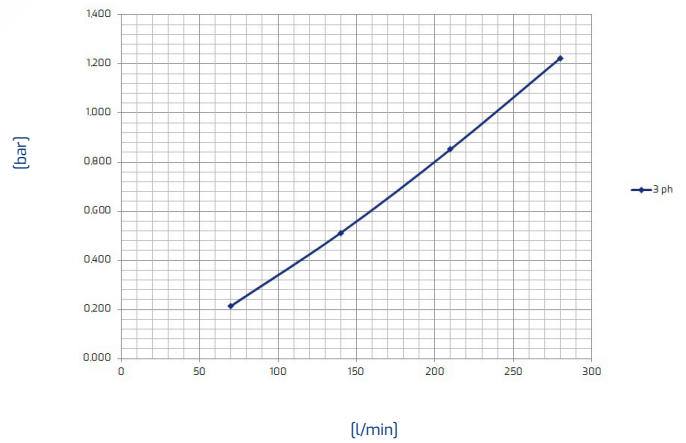
Item	Oil flow [l/min]	Capacity [l]	Weight [kg]	Rpm	Voltage [V]	Frequency [Hz]	Current absorption [A]	Power [W]	Ø Fan [mm]	Air flow [m³/h]	Noise level [db(A)]
HY23503	70-280	20.2	90		230/400	50	1.2	500	630	5628	79

Performance



Oil T 80°C
T Amb. 40°C

Pressure drop



Viscosity - ISO VG 32 Oil					
Oil	22	32	46	68	150
Correction factor	0.8	1	1.2	1.6	3