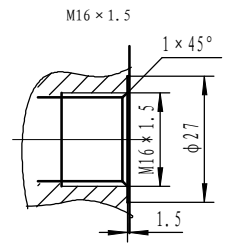
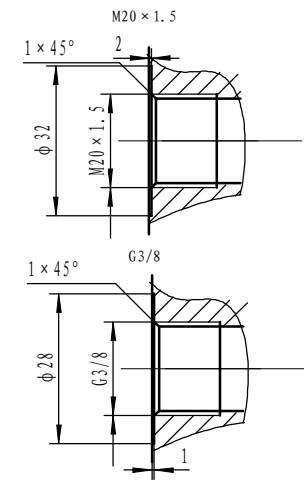
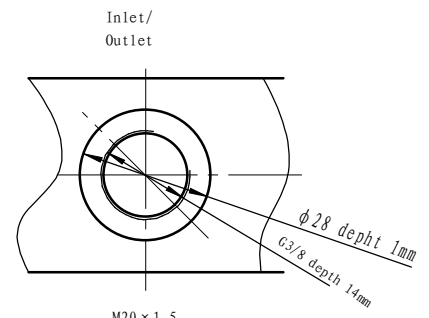
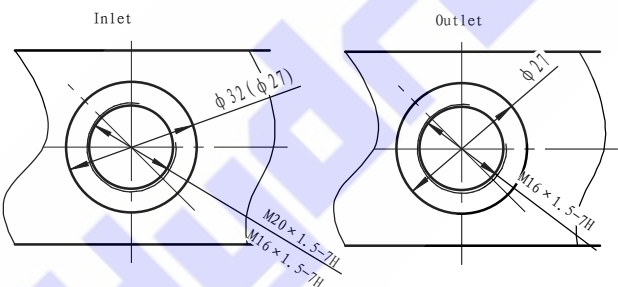
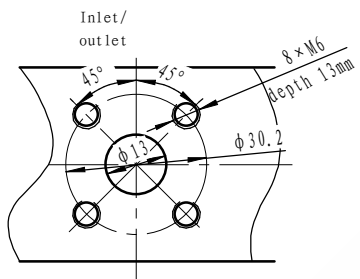


A (C) . . X/XSS/XS

A (C) . . XTM

A (C) . . XT



	A(C)12X	5.7	42.85	91	16	20	3500	M20 × 1.5 φ 32 depth 2	M16 × 1.5 φ 27 depth 1.5
	A(C)096X	4.36	39.75	84	20	25	4000		
	A(C)084X	3.81	38.4	81			4500		
	A(C)072X	3.27	37.15	79			5000		
	A(C)060X	2.72	35.85	76			6000	M16 × 1.5 φ 27 depth 1.5	
	A(C)048X	2.18	34.6	74					
	A(C)036X	1.36	32.7	71					
	A(C)027X	1.22	32.35	69					
Model	Part No	Displacement (ml/r)	A	B	Working pressure (MPa)	Max. speed (r/min)	Working speed (r/min)	Inlet Metric thread	Outlet Metric thread