

SLEWING DRIVES

Code Number	Output Torque kNm	Tilting moment torque kNm	Holding torque kNm	Static axial load kN
HPWE9-62-25H-R	8	33.9	38.7	550
WD-L0223				
Static radial load kN	Dynamic axial load kN	Dynamic radial load kN	Gear ratio kN	
205	130	110	62:1	



SLEWING DRIVES

Code Number	Output Torque kNm	Tilting moment torque kNm	Holding torque kNm	Static axial load kN
HPWE12-79-25H-R	9.5	54.3	43	725
-				
Static radial load kN	Dynamic axial load kN	Dynamic radial load kN	Gear ratio kN	
280	180	140	79:1	



SLEWING DRIVES

Code Number	Output Torque kNm	Tilting moment torque kNm	Holding torque kNm	Static axial load kN
HPWE14-86-25H-R	10.8	67.8	48	920
WD-L0343				
Static radial load kN	Dynamic axial load kN	Dynamic radial load kN	Gear ratio kN	
343	220	190	86:1	



SLEWING DRIVES

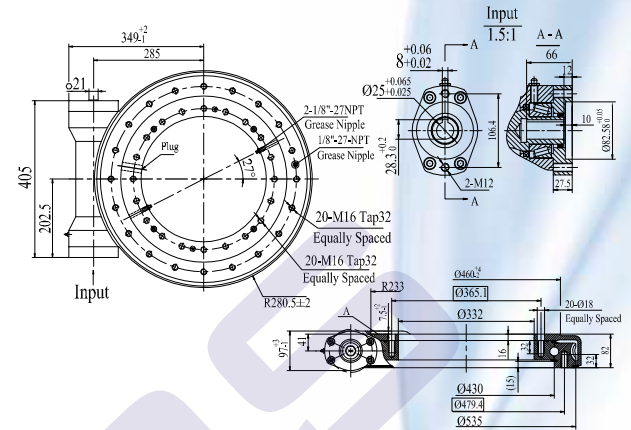
Code Number	Output Torque kNm	Tilting moment torque kNm	Holding torque kNm	Static axial load kN
HPSE17A-102-25H-R	10	135.6	72.3	970
-				
Static radial load kN	Dynamic axial load kN	Dynamic radial load kN	Gear ratio kN	
390	235	205	102:1	



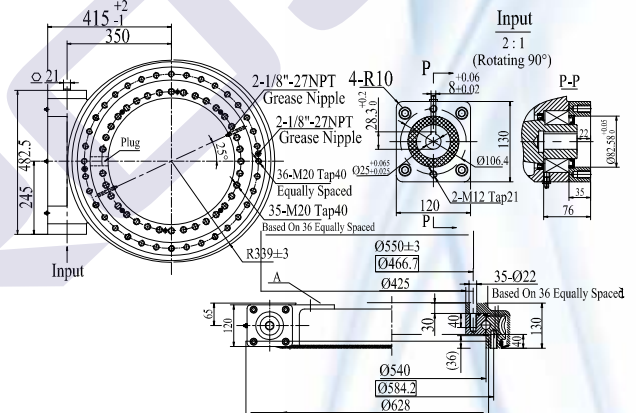
SLEWING DRIVES



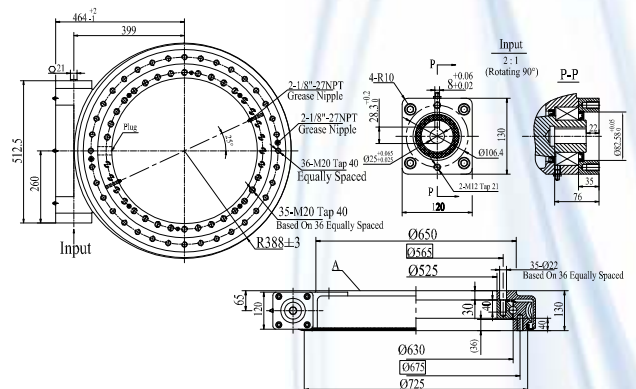
SLEWING DRIVES				
Code Number	Output Torque kNm	Tilting moment torque kNm	Holding torque kNm	Static axial load kN
HPWE17-104-25H-R	12.96	135.6	72.3	1110
WD-L-0419				
Static radial load kN	Dynamic axial load kN	Dynamic radial load kN	Gear ratio	
414	266	220	104:1	



SLEWING DRIVES				
Code Number	Output Torque kNm	Tilting moment torque kNm	Holding torque kNm	Static axial load kN
HPWE21-90-25H-R	28.7	203	105.8	1598
WD-L0478				
Static radial load kN	Dynamic axial load kN	Dynamic radial load kN	Gear ratio	
596	340	270	90:1	



SLEWING DRIVES				
Code Number	Output Torque kNm	Tilting moment torque kNm	Holding torque kNm	Static axial load kN
HPWE25-104-BH-R	34.2	310	158.3	1950
WD-L0625				
Static radial load kN	Dynamic axial load kN	Dynamic radial load kN	Gear ratio	
690	420	320	104:1	



SLEWING DRIVES				
Code Number	Output Torque kNm	Tilting moment torque kNm	Holding torque kNm	Static axial load kN
HPHSE25-94-B-2R	50	60	271	2360
WD-H0373				
Static radial load kN	Dynamic axial load kN	Dynamic radial load kN	Gear ratio	
945	590	470	94:1	

